



**NEW  
RELAXED  
ROMAN  
VALANCE**

**2020**



Midwest  
Designer  
Supply

[www.midwestdesignersupply.com](http://www.midwestdesignersupply.com)

888-523-2611  
262-524-1007 (fax)

**CO****LOR LUX<sup>®</sup>**

Soft Roman Shades / Drapery  
Top Treatments / Colorable Designs

 **Comfortex**  
WINDOW FASHIONS

Manufacturer's Price List and Reference Guide  
**Effective February 1, 2020**

# Comfortex Color Lux® Designer Window Solutions

## Price List and Reference Guide

### Effective February 1, 2020

This price list and reference guide contains product pricing, product specifications and technical information for the complete line of Comfortex Color Lux Drapery, Valances, Drapery Hardware and Soft Roman Shades.

<b>Color Lux Designer Window Solutions Overview</b>	<b>Page</b>
Introduction to Color Lux Window Solutions . . . . .	1
Color Lux Window Solutions Design Tool . . . . .	2
<b>Soft Roman General Information</b>	
Style Options . . . . .	4
Key Features . . . . .	5
<b>Soft Roman Shade Pricing</b>	
<b>Flat, Relaxed and Classic Roman</b> - Linen, Sateen Luster and Sateen Matte . . . . . <b>Price Group 1</b>	6
<b>Hobbled Roman</b> - Linen, Sateen Luster and Sateen Matte . . . . . <b>Price Group 2</b>	6
 <b>Surcharges</b> . . . . .	 6
<b>Specifications</b>	
Size Specifications . . . . .	7
Pricing Examples . . . . .	11
Deductions . . . . .	7
Shade Lining Options . . . . .	7
Cordloop Color Options . . . . .	8
Cordlock Color Options . . . . .	8
Top Down Bottom Up . . . . .	8
Features and Benefits . . . . .	8
Additional Information . . . . .	8
Front Valance Option . . . . .	9
Valance Returns . . . . .	9
Back Valance . . . . .	9
Side Tabs for Outside Mount . . . . .	9
Operating Position . . . . .	9
Multiple Shades on One Head Rail . . . . .	10
Rib and Pattern Alignment . . . . .	10
Rib Spacing . . . . .	10
Combo Lining . . . . .	11
Interlining . . . . .	11
Seamless Shades . . . . .	11
Stacking Heights . . . . .	11
<b>New Roman Valance - Relaxed Style</b> . . . . .	<b>12</b>
<b>Simplicity Rechargeable Motorization</b>	
7.4V Rechargeable PowerTouch . . . . .	13
7.4V Rechargeable Simplicity with Remote . . . . .	14-15
Solar Panel Upgrade . . . . .	14

<b>Color Lux Window Solutions for Drapery, Stationary Panels and Valances</b>	<b>Page</b>
Fabric Details . . . . .	17
Cut Fabric Pricing . . . . .	17
<b>Color Lux Drapery Panels</b>	
Overview . . . . .	18
Grommet Style Panel . . . . .	19
Rod Pocket Panel (With and Without Header). . . . .	20
Soft Top Panel. . . . .	21
Hidden Tab Top Panel . . . . .	22
Two Fingered Pinch Pleat Panel. . . . .	23
Three Fingered Pinch Pleat Panel. . . . .	23
Two Fingered Euro Pleat Panel . . . . .	24
Three Fingered Euro Pleat Panel . . . . .	24
Inverted Pleat Panel . . . . .	25
Ripplefold Drapery . . . . .	26
<b>Color Lux Window Solutions Drapery Pricing</b>	
<b>Pair or Single Panel</b> - Linen, Sateen Luster and Sateen Matte . . . . . <b>Price Group 3</b>	27
<b>Stationary Panel</b> - Linen, Sateen Luster and Sateen Matte. . . . . <b>Price Group 4</b>	27
<b>Surcharges for Drapery and Stationary Panels</b> . . . . .	27
<b>Color Lux Window Solutions Ripplefold Draperies Pricing</b>	
<b>Pair or Single Ripplefold Panel</b> - Linen, Sateen Luster and Sateen Matte . . . . . <b>Price Group 5</b>	28
<b>Surcharges for Ripplefold Drapery</b> . . . . .	28
Ripplefold Drapery Stackback Charts. . . . .	29
General Information and Pricing Examples . . . . .	29-30
Fabric Wrapped Mounting Boards for Stationary Pleated Draperies . . . . .	30
<b>Color Lux Valances</b>	
Overview . . . . .	32
<b>Board Mounted Valances</b>	
Soft Fold Valance (CLB1) . . . . . <b>Price Group 6</b>	33
Center Box Pleat Valance (CLB2) . . . . . <b>Price Group 7</b>	33
Multi Pleat Box Valance Straight Edge (CLB3). . . . . <b>Price Group 8</b>	34
Multi Pleat Box Valance Scalloped Edge (CLB4) . . . . . <b>Price Group 8</b>	34
Empire Swag Valance (CLB5). . . . . <b>Price Group 9</b>	35
Federal Swag Valance (CLB6) . . . . . <b>Price Group 10</b>	35
Soft Wave Cornice (CLB9) . . . . . <b>Price Group 13</b>	36
<b>Upholstered Cornices</b>	
Contoured Classic Cornice (CLB7) . . . . . <b>Price Group 11</b>	36
Straight Classic Cornice (CLB8) . . . . . <b>Price Group 12</b>	36
<b>Rod Mounted Valances</b>	
Three Fingered Pleat Valance (CLR1) . . . . . <b>Price Group 14</b>	37
Euro Pleat Valance (CLR2) . . . . . <b>Price Group 15</b>	37
Combo Pleat Valance (CLR3) . . . . . <b>Price Group 16</b>	38
Champagne Pleat Valance (CLR4) . . . . . <b>Price Group 17</b>	38
Measuring and Mounting Notes for Classic Cornice and Soft Wave Cornice . . . . .	39
Return Board Sizes . . . . .	39

	<b>Page</b>
General Information . . . . .	39
Seamless Cornices and Valances . . . . .	39
<b>Color Lux Fabric Cornice</b>	
Features and Benefits . . . . .	40
Fabric Cornice Pricing . . . . . <b>Price Group 18</b>	40
Mounting Info, Return Sizes and Keystone Information . . . . .	40
Dustcover Information . . . . .	40
Measuring Guide . . . . .	41
Clearances . . . . .	41
<b>Color Lux Drapery 1 1/8" Hardware</b>	
1 1/8" Rod Finish Options . . . . .	43
Decorative Traverse Rod and Ripplefold Track Finish Options . . . . .	43
1 1/8" Finial Options . . . . .	44 - 54
1 1/8" Mounting Hardware . . . . .	55
1 1/8" Accessories . . . . .	56
1 1/8" Hardware Pricing and Information . . . . . <b>Price Group 19</b>	57
<b>Color Lux Decorative Traverse Rods and Ripplefold Track Hardware</b>	
General Information . . . . .	58
Mounting Hardware . . . . .	59
Traverse Rods and Ripplefold Pricing & Surcharges . . . . . <b>Price Group 20</b>	60
<b>Color Lux Drapery 1 1/2" Hardware</b>	
1 1/2" Rod Finish Options . . . . .	61
Decorative Traverse Rod and Ripplefold Track Finish Options . . . . .	61
1 1/2" Finial Options . . . . .	62-65
1 1/2" Mounting Hardware . . . . .	66
1 1/2" Accessories . . . . .	67
1 1/2" Hardware Pricing and Information . . . . . <b>Price Group 21</b>	68
1 1/2" Venus Traverse Rod and Ripplefold Track Hardware . . . . .	69
1 1/2" Venus Traverse Rod and Ripplefold Track Hardware Pricing and Information . . . . . <b>Price Group 22</b>	70
<b>Color Lux Drapery Traverse Rod Hardware</b>	
Telescoping Traverse Rod for Pleated Styles . . . . .	71
Basic Ripplefold and Traversing Track System . . . . .	72
<b>Color Lux Wood Hardware Collection</b>	
1 3/8" and 2" Wood Finish options . . . . .	73
Wood Finial Options . . . . .	74 - 75
Wood Mounting Hardware . . . . .	75
Wood Collection Pricing . . . . . <b>Price Group 23</b>	76
<b>Color Lux Designer Window Solutions General Information</b>	
Draperies 101 . . . . .	78
How to Measure for Color Lux Window Solutions Draperies . . . . .	79 - 80
Stackback Chart for Draperies and Side Panels . . . . .	80
Worksheet for Measuring Color Lux Window Solutions Draperies . . . . .	81
<b>Child Safety Information</b> . . . . .	82
<b>Color Lux Designer Window Solutions Conditions of Sale</b> . . . . .	83 - 84
<b>Color Lux Designer Window Solutions Warranty</b> . . . . .	85

## Color Lux® Designer Window Solutions

### FEATURING SOFT ROMAN, DRAPERY, VALANCES AND CORNICES

---

#### Color Lux Window Solutions

The Color Lux Designer Window Solutions platform brings color harmonies and style to every space. ColorLux Window Solutions is an easy-to-use system featuring more than 800 colors. The coordination of cellular and roller shades with drapery and soft treatment products is fun and easy!

The Soft Roman collection features flat, relaxed, classic and hobbled style shades that can be designed with any Color Lux solid or one of the many patterns featured for rollers and draperies. The Color Lux Design Tool enables you to select from the hundreds of patterns that have been professionally harmonized with the extensive Color Lux color palette.

#### The Color Lux Designer Window Solutions offers:

- Flat, Classic Relaxed and Hobbled Roman Shades
- Draperies
- Stationary Side Panels
- Cut "Fabric by the Yard"
- Soft Treatment Valances
- Upholstered Cornices
- Light Weight Fabric Cornice
- Drapery Hardware
- Swatches of hundreds of patterns designed using the Color Lux color palette



# Color Lux® Designer Window Solutions

## DESIGN TOOL

### Color Harmonization Made Easy!

Our Color Lux Design Tool creates the perfect window ensemble for draperies, soft treatments and hard treatments, such as cellular and roller shades. The Color Lux Design Tool is easy to use, and provides design harmony recommendations in seconds. Here's how:

**Step 1:** Start designing by selecting any product: Cellular Shades, Roller Shades, Soft Roman Shades, Sheer Horizontal Shades, Draperies or Valances. You can design around a preferred decorating color or find inspiration in our design library. Use our professionally selected harmonies or create your own. Build a layered ensemble by adding additional coordinated treatments.

**Step 2:** Order swatches of your favorite ensembles in any of the fabrics available in the program.

- Soft Treatments are available in Linen, Sateen Matte and Sateen Luster.
- Cellular swatches are available in Linen Weave Light Filtering and Room Darkening, Boutique Light Filtering and Room Darkening, Verona Light Filtering and Room Darkening and Aspen Double Cell Room Darkening and Light Filtering.
- Roller Swatches are available in Linen Light Filtering and Blackout, Solar Screen 5 and Classic Duck in Light Filtering and Blackout.

**Step 3:** Choose your product from the selection of soft treatment and hardware options. The Color Lux Window Solutions Reference Guide has all your options.

**Visit [ColorLuxWindowSolutions.com](http://ColorLuxWindowSolutions.com) to start designing!**



**1.** Choose patterns from the library. Sort from various drop down lists.

**2.** In the library click on the heart icon to add you patterns to your favorites.

**3.** Select the product you want to edit and click on the patterns or colors in your favorites. To see coordinating colors click the double arrow icon to the left of the pattern.

## COLOR LUX SOFT ROMAN SHADES

COLOR LUX® SOFT ROMAN SHADES



**COLOR LUX**<sup>®</sup>  
*Designer Window Solutions*

## Color Lux® Soft Roman Shades

### SHADE STYLES

---

Color Lux Window Solutions offers the most elegant and popular roman shades in the market today. Featuring the luxuriously soft Color Lux Sateen and Linen fabrics, every pattern and color-way available in the Color Lux Design Tool provides hundreds of options for a beautiful roman shade. Every roman shade can be seamlessly harmonized with draperies and top treatments.



**Flat Roman**

The Flat Roman shade looks like a beautiful roller shade when down, and gathers up in soft folds when raised. **This shade looks beautiful with designs with patterns or solids.**



**Relaxed Roman**

The Relaxed Roman shade lies flat when lowered, but always has a gentle, decorative "smile" at the bottom. **This shade looks beautiful with designs with patterns or solids. Available only on Linen fabric.**



**Classic Roman**

The Classic Roman shade features decorative pleats that appear at the front of the shade when lowered. This shade is recommended for textures and solids. **Not recommended for designs with a pattern that will be interrupted by the pleats.**



**Hobbled Roman**



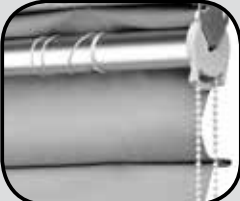


The Hobbled Roman shade's defining elegance is its beautiful soft folds that drape when lowered. **Works well with patterns and solids due to the soft draping folds of the fabric. Recommended for shades in a blackout application.** (Valance as pictured is standard for front operating position shades.)



# Color Lux® Soft Roman Shades

## KEY FEATURES

COLOR LUX® SOFT ROMAN SHADES

	Key Features	Operating Cord Colors (page 8)	Mounting Dimensions (Depth x Height)	Operating Position
<b>Cordlock</b> 	<ul style="list-style-type: none"> <li>Traditional shade operation</li> <li>Cord color selection is available to best match with shade</li> <li>Head rail is wrapped with matching shade fabric</li> </ul>	<ul style="list-style-type: none"> <li>White</li> <li>Tan</li> <li>Beige</li> <li>Brown</li> <li>Blue</li> <li>Charcoal</li> </ul>	<b>Shades under and over 60" x 60"</b> Board has 1½" depth and ¾" height  <b>Turned Head Rail</b> Board has ¾" depth and 1½" height	Back Position (Optional 7" back valance)  Front Position (Free Valance Upgrade)
<b>Top Down Bottom Up Cordlock</b> 	<ul style="list-style-type: none"> <li>Provides the ideal combination of light control and privacy.</li> <li>Available in all soft roman styles</li> <li>Available as two or three on one shades</li> <li>Head rail is wrapped with matching shade fabric</li> </ul>	<ul style="list-style-type: none"> <li>White</li> <li>Tan</li> <li>Beige</li> <li>Brown</li> <li>Blue</li> <li>Charcoal</li> </ul>	<b>Shades under 60" x 60"</b> Board has 1½" depth and ¾" height  <b>Not Available for shades over 60" wide</b>	Back Position (Optional 7" back valance)  Front Position (Free Valance Upgrade)
<b>Cordloop</b> 	<ul style="list-style-type: none"> <li>All Soft Roman Shades with cordloop operation feature a clutch mounted to the furthest edge of the headrail. This provides easy access to the bead chain and is flush to inside trim.</li> </ul>	<ul style="list-style-type: none"> <li>White Metal or White Plastic</li> <li>Black Metal or Black Plastic</li> <li>Brown Metal or Brown Plastic</li> <li>Vanilla Plastic</li> <li>Stainless Steel</li> </ul>	<b>Shades under 60" x 60"</b> Board has 2" depth x ¾" height  <b>Shades over 60" x 60"</b> Board has 2⅝" depth x ¾" height	Back Position (Optional 7" back valance)  Front Position (Free Valance Upgrade)
<b>Cordless</b> 	<ul style="list-style-type: none"> <li>Raise and lower your shade with easy cordless operation</li> <li>Easy to reach tassel makes operation simple without contact with fabric</li> <li>Head rail is wrapped with matching shade fabric</li> </ul>	<ul style="list-style-type: none"> <li>Cordless Hardware is always white</li> <li>Cordless Tassel is always white</li> </ul>	<b>Shades under 60" x 60"</b> Board has 2" depth x ¾" height  <b>Shades over 60" x 60"</b> Board has 2⅝" depth x ¾" height	Back Position (Optional 7" back valance)  Front Position (Free Valance Upgrade)
<b>Two and Three On One</b> 	<ul style="list-style-type: none"> <li>Perfect for large window openings that share multiple windows.</li> <li>Available with all operating systems</li> <li>Head rail is wrapped with matching shade fabric</li> </ul>	<ul style="list-style-type: none"> <li>See Cordlock and Cordloop Color Options above.</li> <li>Also available in Cordless, Motorization and Top Down / Bottom Up Cordlock</li> </ul>	<b>Shades under 60" x 60"</b> Board has 2" depth x ¾" height  <b>Shades over 60" x 60"</b> Board has 2⅝" depth x ¾" height	Back Position (Optional 7" back valance)  Front Position (Free Valance Upgrade)
<b>7.4V Rechargeable Simplicity Motorization</b> 	<ul style="list-style-type: none"> <li>Raise and lower shades at the push of a button; ideal for larger shades</li> <li>Child and pet safe</li> <li>Operate multiple shades simultaneously</li> <li>Rechargeable motor</li> </ul>	<ul style="list-style-type: none"> <li>Remote is available in white and black</li> <li>PowerTouch Rechargeable wand and pendant is available in white and black</li> </ul>	<b>Shades under 60" x 60"</b> Board has 2" depth x ¾" height  <b>Shades over 60" x 60"</b> Board has 2⅝" depth x ¾" height	Back Position (Optional 7" back valance)  Front Position (Free Valance Upgrade)

**Color Lux® Soft Roman Shades**

**SHADE STYLES**

**Flat, Relaxed and Classic Roman Shades List Price  
Standard with Cordlock**

**Price Group 1  
Linen**

**Sateen Luster, Sateen Matte**

Length to	Width to						
	24"	36"	48"	60"	72"	84"	96"
36"	346	460	499	589	693	1021	1042
48"	389	529	572	662	778	1125	1151
60"	434	597	648	739	873	1246	1275
72"	476	655	714	834	983	1386	1418
84"	510	708	768	934	1100	1425	1436
96"	544	747	957	1167	1352	1729	1776
108"	581	798	1026	1267	1465	1760	1812

Sateen Matte and Sateen Luster is not available for Relaxed Roman Shades.

**Hobbled Roman Shades List Price  
Standard with Cordlock**

**Price Group 2  
Linen**

**Sateen Luster, Sateen Matte**

Length to	Width to						
	24"	36"	48"	60"	72"	84"	96"
36"	483	641	690	814	941	1173	1326
48"	562	758	815	924	1070	1311	1483
60"	621	857	909	1037	1205	1452	1646
72"	691	957	1030	1174	1363	1618	1836
84"	741	1031	1114	1313	1525	1719	1866
96"	801	1110	1180	1384	1589	1748	1893
108"	858	1194	1275	1504	1727	1884	2039

**SURCHARGE OPTIONS AND UPGRADES**

**Operating Systems**

- FREE Cordless Operation = No Charge
- FREE Cordloop Operation = No Charge
- 7.4V Rechargeable Simplicity Motorization = \$319 Per Shade (see pages 13 - 14)
- 7.4V Rechargeable PowerTouch Motorization = \$118 Per Shade (see page 13)
- Top Down - Bottom Up with 7" Front Valance (Available Cordlock only) = \$302 Per Shade
- Front Operating Position (Operating cords in front of shade) = \$78 Per Shade with FREE 7" Front Valance

**Liner**

- Room Darkening Liner for Flat, Relaxed and Classic Roman Shades = \$181 Per Shade
- Room Darkening Liner for Hobbled Roman Shades = \$195 Per Shade
- Interlining for all Shade Styles (not available with RD liner) = \$209 Per Shade
- Combo (Napped) Lining for All Shade Styles (not available with RD liner) = \$117 Per Shade

**Multiple Head Rail**

- \*Two-on-One Head Rail (maximum total width is 144") = \$28 per unit
  - \*Three-on-One Head Rail (maximum total width is 144") = \$41 per unit
- Price each shade individually, then add surcharge to total.

**Valances**

- Back Valance for Flat, Relaxed and Classic Roman Shades (7") = \$71 Per Shade
- FREE Back Valance for Hobbled Roman Shades = No Charge Upgrade
- Front Valance for Front Operating Position Shades (5", 7" or 9") = No Charge Upgrade

**Seamless Shades**

- No seams for Classic and Hobbled Style Shades = \$140 Per Shade
- (Seams are hidden in ribs instead of visible on the shade. Available for shades over 50 wide")

COLOR LUX® SOFT ROMAN SHADES

**Color Lux® Soft Roman Shades**  
**Color Lux Soft Roman Pricing Examples**

**GENERAL SPECIFICATIONS**

**Size Specifications**

	Minimum Width	Maximum Width	Maximum Length
<b>Cordlock</b>	12"	88"	72"
<b>Cordless*</b>	17"	90"	84"
<b>Cord Loop**</b>	12"	96"	108"
<b>Motorization</b>	19"	90"	84"

\* If width is 24½" or less, then maximum length is 42". If width is over 24½", then maximum length is 84".

\*\*Max size for Classic Roman with Blackout Liner = 96" x 96"

\*\*Max size for Hobbled Roman with Blackout Liner = 84" x 90"

Top Down Bottom Up Shades are only available with cordlock. Maximum width is 60".

**Deductions**

**Front Operation Roman Shades Finished Dimensions (+/- 1/8")**

**Inside Mount**

Wood Headrail Measurement:	Ordered width minus ¼"
Fabric Width:	Ordered width minus ¼"
Valance Width:	Ordered width minus ¼"

**Inside Mount with Valance Returns**

Wood Headrail Measurement:	Ordered width minus ¼"
Fabric Width:	Ordered width minus ¼"
Valance Width:	Ordered width minus ¼"

**Outside Mount**

Head Rail Measurement:	Ordered width plus 1"
Fabric Width:	Ordered width
Valance Width:	Ordered width plus 1" (from outside of fabric return to outside of fabric return)

**Back Operation Roman Shades Finished Dimensions (+/- 1/8")**

**Inside Mount**

Wood Headrail Measurement:	Ordered width minus ¼"
Fabric Width:	Ordered width minus ¼"
Valance Width:	Ordered width minus ¼"

**Inside Mount with Side Tabs**

Wood Headrail Measurement:	Ordered width minus ¼"
Fabric Width:	Ordered width minus ¼"
Valance Width:	Ordered width minus ¼"

**Outside Mount**

Head Rail Measurement:	Ordered width plus 1"
Fabric Width:	Ordered width
Valance Width:	Ordered width plus 1" (from outside of fabric return to outside of fabric return)

**Relaxed Roman Valance Deductions (Non-Operable)** (Tolerance is +/- 1/8")

- All Inside Mount Valances: ¼" deduction from the width of the fabric and wood headrail
- All Inside Mount Valances with Side Tabs: ¼" deduction from the width of the fabric and wood headrail
- All Outside Mount Valances: Ordered Width

COLOR LUX® SOFT ROMAN SHADES

# Color Lux® Soft Roman Shades

## SHADE OPTIONS

### Cord Loop Color Selection

When ordering a cord loop system, select from one of the following color and material options. Tensioner will match cord loop color.

- White Metal or White Plastic
- Black Metal or Black Plastic
- Brown Metal or Brown Plastic
- Vanilla Plastic
- Stainless Steel



### Cordlock Color Selection

When ordering a cordlock system, select from one of the following color options.

- White
- Tan
- Beige
- Brown
- Blue
- Charcoal

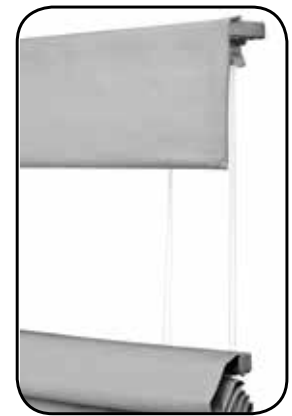


COLOR LUX® SOFT ROMAN SHADES

### Top Down - Bottom Up Option

Top Down - Bottom Up is available on all four roman shade styles. The shade may be raised from the bottom or lowered from the top with cord lock controls one each side.

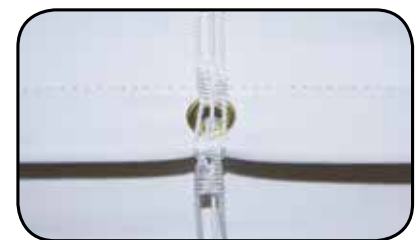
- Maximum width is 60"
- A 7" Front Valance is standard with all Top Down - Bottom Up Shades
- Outside Mount head rails will be made 1" wider than the ordered size, so the shade will fold up under the valance.
- Available with Cordlock operation only.



Top Down Bottom Up Available on Cordlock

### Features and Benefits

- Flat, Classic and Hobbled romans are fabricated with brass grommets instead of rings for long lasting construction and clean appearance from the outside.
- "No sew" side hems on all roman shades that prevent pinholes on the outer edges of the shade.
- Seamless Roman Shades without a vertical seam at wider widths are also available for Classic and Hobbled Roman Shades.



Grommets instead of rings for stable construction

### Additional Information

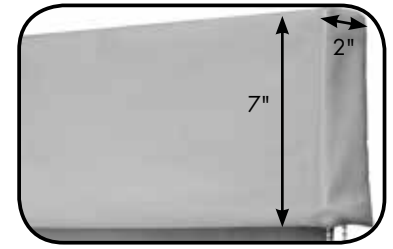
- All Roman shades over 50" wide will have two vertical seams.
- The Relaxed Roman Shade tends to "toe-in" noticeably at the bottom. This is inherent to the product. Inside mount and multiple shades on one head rail are not recommended.
- The height of a Relaxed Roman Shade is the short point of the "smile".
- All side hems are sealed with hemming tape. The hemming tape is rated for temperatures up to 212 degrees.

# Color Lux® Soft Roman Shades

## SHADE OPTIONS

### Front Valance Option

- All four styles of roman shades may be ordered with a 5", 7" or 9" valance.
- The valance will hang off the front of the head rail.
- Standard with all front operating position shades where the cordlock and cord loop controls are easier to access but the hardware should be concealed with a valance.
- Not available for back operating position shades due to the proximity of shade and valance fabric that could damage shade material.
- The bottom of the valance is reinforced with a rib to insure the stability and shape of the valance.



Standard Valance Height is 7".  
5" and 9" options available.

### Valance Returns:

- Valance Returns wrap around the head rail.
- There are no returns for inside mount valances. These must be requested.
- 2" valance returns are standard for outside mount shades under 70" wide.
- 3" valance returns are standard for outside mount shades over 70" wide.
- Custom return sizes are not available.

### Back Valance

#### Back Valance:

A 7" back valance hides the hardware from the outside of the shade. The valance is made from blackout lining and provides a uniform street side appearance. Standard on all Hobbled Roman Shades ordered with back operating position and available as an upgrade option for Flat, Relaxed and Classic styles. Back Operating position must be ordered for this option.



Back Valance is available 7" long and conceals operating mechanisms

### Side Tabs for Outside Mount Shades:

Side tabs are standard for outside mount roman shades with back operating position (see below). This conceals the sides of the head rail from view and finishes the appearance of the roman. They are 5" long so as not to interfere with the shade when raised.

Side tabs can be ordered as an option for inside mount shades. Deduction is 1/4" for inside mount shades with side tabs.



Side tabs are standard for outside mount shades with back operating position

### Operating Position

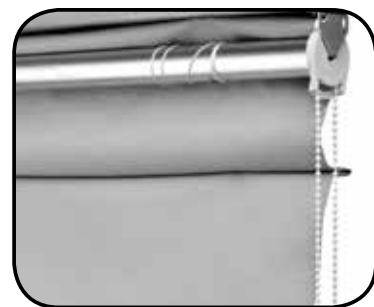
Shades are made standard with the operating hardware behind the shade. This hides operating cords from sight and provides a clean, valance free shade. A front operating position upgrade is an excellent option when cords need to be more readily accessible, or for blackout shades where the fabric is installed closer to the window to provide better light control. Front operating position is an upgrade and includes a free valance at 5", 7" or 9".



Back Operating Position is Standard - Operating Mechanism positioned behind the shade fabric. Pictured without 7" Back Valance.



All cordless shades feature a tassel for easy operation and minimal contact with fabric.



Front Operating Position is Optional - Operating Mechanism positioned in front of the shade fabric. Front valance is included when this option is chosen.

COLOR LUX® SOFT ROMAN SHADES

# Color Lux® Soft Roman Shades

## SHADE OPTIONS

### Multiple Shades on One Head Rail

- Valances ordered with two or three shades mounted on a single head rail will be a common single valance. Front position shades are required for front valance.
- Head rail is wrapped with matching shade fabric.
- Provide the sizes of each individual shade AND the total width of the unit
- Available with all operating systems
- The sizes of the individual shades must add up to the total width, and must not exceed the maximum width.
- The workroom will take a 1/2" deduction for inside mount shades and a 1/4" deduction for each space between shades.
- Price as two or three separate shades then add surcharge.
- Maximum total width is 144"

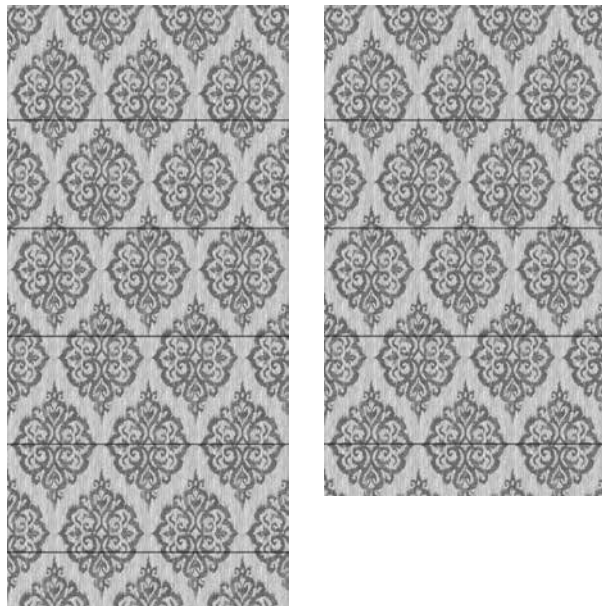


### Rib and Pattern Alignment

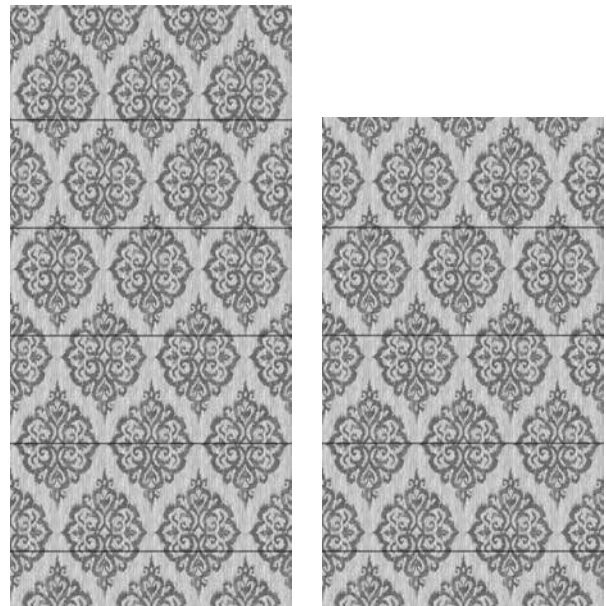
Classic and Hobbled shades may have noticeably different top or bottom fold sizes when multiple shades with different lengths are in the same room. Please indicate when ordering if shades will be side by side in a room so the workroom can align patterns and ribs.

Comfortex aligns the pattern and ribs starting at the TOP of the shade as standard. Matching starting from the BOTTOM is a no charge option but must be requested. Bottom alignment is recommended for side by side windows that start at different heights but are equal height at the bottom.

**Top Alignment - Standard**



**Bottom Alignment - Optional**



### Rib Spacing

Rib spacing will not exceed 6 3/4". The last panel on top or bottom of aligned shades will be half the size of the middle panels. Custom spacing between ribs is not available. Please indicate when shades are in the same room so pattern and ribs can be manufactured to align.

# Color Lux® Soft Roman Shades

## LINER OPTIONS

### Light Filtering Lining

Light Filtering Liner is 100% Cotton and is standard at no extra charge. Available in white only.

### Room Darkening Lining

Room Darkening Lining is 50% Polyester and 50% cotton and is available as an upgrade option for all roman shade styles. This is recommended in combination with Hobbled Roman shades to minimize any light filtering pinholes. Available in white only.

### Combo (Napped) Lining

- Combo lining is available on all Soft Roman Shade styles and with all fabrics. It is a thicker, layered liner that replaces the standard light filtering liner. This provides a fuller hand than standard light filtering liner.
- Combo lining is only available in antique white (ivory).
- Available on all operating systems
- Combo lining cannot be used with room darkening liner.
- 100% Cotton

### Interlining

- Interlining is only available on Classic and Hobbled Soft Roman Shade styles and with all fabrics. A third material is placed between the face fabric and the liner fabric to create a fuller hand to any roman shade.
- Interlining is only available in white.
- Available on all operating systems
- Interlining cannot be used with room darkening liner.
- 100% Cotton

### Seamless Classic and Hobbled Soft Romans

Soft Roman Shades typically have a seam when the shade is made wider than the fabric. Unique to Comfortex is the ability to create seamless shades for Classic and Hobbled styles. Shades wider than 50" can be made without any vertical seams running down the shade. While patterns remain aligned in the correct orientation, seams are tucked into and hidden by the ribs of the Classic and Hobbled style roman shades.

### Stack Heights (In Inches)

Height	Flat Roman	Relaxed Roman	Classic Roman	Hobbled Roman
36"	9.5	9.5	9.5	13
48"	10	10	10	13.5
60"	11	11	11	14
72"	12	12	12	15
84"	12.5	12.5	12.5	16
96"	13	13	13	17
108"	14	14	14	18

#### PRICING EXAMPLE #1:

- Hobbled Roman, Room Darkening Liner and Front Pull**
- 1) 36 x 60 Hobbled Roman = \$ 857
  - 2) Room Darkening Liner = \$ 195
  - 3) Front Operating Position with Front valance = \$ 78
- TOTAL LIST PRICE BEFORE DEALER DISCOUNT = \$ 1,130**

#### PRICING EXAMPLE #2:

- Two-on-One Flat Roman with Top Down/Bottom Up**
- Total Opening = 84" Width; Ordered Length = 72"  
Left Shade = 42"; Right Shade = 42"
- 1) 42" x 72" = \$714 x 2 shades = \$1,428
  - 2) Top Down Bottom Up = \$302 x 2 shades = \$ 604
  - 3) Add Two-on-One Head Rail Surcharge = \$ 28
- TOTAL LIST PRICE BEFORE DEALER DISCOUNT = \$ 2,060**

COLOR LUX® SOFT ROMAN SHADES

# Color Lux® Soft Roman Valance

## NEW ROMAN VALANCE - RELAXED STYLE (NON-OPERABLE)

Color Lux Window Solutions now features a beautiful new valance option. When you want the elegant appearance and the graceful folds of a Relaxed Roman without the need to operate your shade, the Roman Valance - Relaxed Style is the perfect option. The Roman Valance is available in all patterns and solids found on the ColorLux Window Solutions Design Tool and is the perfect top treatment over roller or cellular shades.

### Features

- The Roman Valance is entirely cord-free in design, so the street-side appearance is clean and simple.
- A stabilizing bar gives the relaxed roman valance just enough stability to hold the beautifully folds in place
- All boards are wrapped with matching fabric for a finished look.
- **Maximum width is 72".**

### Height Options

All Relaxed Roman Valances will have four elegant fabric folds regardless of the overall height of the valance.

Valance heights are available in:

- 14"
- 16"
- 18"
- 20"

The height measurement starts from the top of the headrail to the shortest point on either end of the "smile". Outer edges of the relaxed roman are approximately 2" less than the center. This difference will vary based on the width of the valance. Narrower valances will have less of a smile.

### Liner Options

Relaxed Roman Valances are available standard with Room Darkening Liner. Light Filtering Liner is available as a no charge option.

Combo Lining and Interlining is not available for relaxed roman valances.

### Side Tabs

- Side tabs are standard for Outside Mount valances and optional for Inside Mount. Side tabs are not available for turned headrail.
- Side tabs will match the ordered width of the board.
- Standard Height for side tabs is 6".

### Mounting Options and Return Sizes

- Roman Valances are available for Inside Mount, Outside Mount and Turn Headrail.
- The standard return size is 2".
- 1.5" return is optional.
- Turned Headrail has a return of 3/4".
- Custom board depths are available. Please contact Customer Service when ordering.
- All boards are fabric wrapped with matching fabric.



All valances feature four elegant fabric folds regardless of the height ordered.



All valances are cord-free and clean to the streetside.



All boards are wrapped with matching fabric. Side tabs are optional for Inside Mount & standard for Outside Mount



Valance measurements start from the top of the headrail to the shortest point of the valance on the side.

COLOR LUX® SOFT ROMAN SHADES

### Pricing

#### Manufacturer's List Price

Width to	24"	36"	48"	60"	72"
	367	442	553	619	690

### Valance Deductions

(Tolerance is +/- 1/8")

- All Inside Mount Shades: 1/4" deduction from the width of the fabric and board
- All Inside Mount Shades with Side Tabs: 1/4" deduction from the width of the fabric and board
- All Outside Mount Valances: Ordered Width



# Color Lux® Soft Roman Shades

## 7.4V SIMPLICITY POWERTOUCHEM RECHARGEABLE MOTORIZATION

COLOR LUX® SOFT ROMAN SHADES

Color Lux Soft Roman Shades are the only roman shades in the market to offer PowerTouch™ Rechargeable motorization. Convenient and simple to use, the wand can remain hidden behind the roman fabric with the standard back operation position, or can hang in front of the fabric for easier access when ordering front operating position.



Wand Appearance from Back of Shade

The PowerTouch™ Rechargeable provides an easy, cord free motorized operation for the budget savvy homeowner. PowerTouch™ Rechargeable uses Simplicity motors and components.

- PowerTouch™ Rechargeable is available for all roman styles.
- Wand and Pendant are always White or Black.

### Color Lux Soft Roman Shade PowerTouch™ Rechargeable Upgrade Surcharges

All standard discounts apply to PowerTouch™ Shades.

- PowerTouch™ Rechargeable Pendant and Wand: \$118.00
- Charger for PowerTouch™ Rechargeable (required): \$28.00

### PowerTouch™ Rechargeable Soft Roman Shade Specifications

See motorization specifications on page 7 for details.

### PowerTouch™ Rechargeable Shades Operation

Press the up or down button on the pendant to raise or lower the shading to your desired position.

Programming the upper and lower limits is completed at the factory. These can be easily adjusted in the field if desired.

Programming the favorites position is completed after shade installation.

Please refer to the installation instructions at [comfortexdealers.com](http://comfortexdealers.com).

### PowerTouch™ Rechargeable Shades Do Not Have a Separate Battery Wand

There is no battery wand with the PowerTouch™ Rechargeable shades. The battery pack is integrated inside the roller tube to make mounting easier and more convenient.

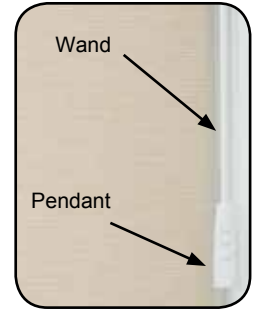


Recharging Port

The battery is recharged via the recharging port on the PowerTouch Rechargeable™ Wand.

### PowerTouch™ Rechargeable Appearance

- The PowerTouch™ Rechargeable wand and pendant is attached to the head rail and requires no additional mounting.
- The wand and pendant hangs down the front of the shade for front operating position.
- The wand and pendant hangs down the back of the shade for back operating position.
- The top and bottom buttons lift and lower the shade to the upper and lower limits. The center button is the favorites and stop button.
- Pendant is 2½" long.



### PowerTouch™ Rechargeable Color Options For Soft Roman Shades



White



Black

- Select White or Black wand and pendant when ordering this option for soft roman shades.

### Wand and Pendant Location with Soft Roman Shades

The standard location for the wand and pendant is on the right. Please specify when ordering.

### PowerTouch™ Rechargeable Wand Length with Soft Roman Shades

Shade Length	Standard Wand Length
Shades up to 30"	1' (12")
30" to 52"	2' (24")
52" to 78"	3' (36")
78" to 100"	4' (48")
100" to 108"	5' (60")

- Custom length wands are not available with PowerTouch™ Rechargeable. Standard wand lengths can be changed at no cost.

# Color Lux® Soft Roman Shades

## 7.4V SIMPLICITY RECHARGEABLE MOTORIZATION

### Simplicity Rechargeable Motorization Upgrades and Surcharges

#### Motor

- Radio Frequency Motor: \$319.00  
Includes integrated rechargeable battery

#### Hand Held Remote

- 5 Channel Remote: \$41.00
- 6 Channel Timer Remote: \$67.00
- 14 Channel Remote: \$67.00

#### Simplicity Rechargeable Motor Battery Charger

- Charger for rechargeable motors (required): \$28.00

#### Simplicity Solar Panels

- Solar Panel with Brackets: \$105.00

All standard discounts apply to motorized shadings.

### Simplicity Rechargeable Motors Appearance for Soft Roman

The Simplicity Rechargeable motor and batteries are concealed within the roller tube. There are no special installation considerations.



View of motor behind fabric with and without charging cable

### Important Information about Simplicity Rechargeable Motor Shade Operation and Installation

- Simplicity Motorized Shades installed into windows with metal casings may have a reduced radio frequency range, or may not operate at all, depending on the application.
- Do not let the antenna on the motor touch any metal objects. This may interfere with signals from the remote control.
- Be mindful of when your shade starts to slow down during operation. It is a good indicator the shade needs to be recharged. The shade will also beep when the remote button is pressed, if the battery is low.

### Simplicity Rechargeable Motor Batteries

The battery for the rechargeable simplicity motor system is integrated within the motor casing and is fully concealed by the roller tube.

Rechargeable battery comes fully charged from the factory.

### Battery Wand Mounting is Not Required

No external battery wand is required to operate a Color Lux Soft Roman Shade with Simplicity Rechargeable Motorization.

### Simplicity Rechargeable Motor Battery Life

Rechargeable battery is built into the motor.

The average battery charge will last 6-12 months based on an average sized shade raised and lowered once per day. The life of the battery charge will vary based on the type of window covering selected, the size and weight of the window covering and the number of times the shade is operated on a daily basis.

The battery can be recharged up to 500 times. It takes approximately 5 hours to recharge the motor when fully depleted.

### Battery Charger for Simplicity Rechargeable Motors (Remote and PowerTouch Rechargeable)

An 8.4 Volt charger requires a standard power outlet to recharge the battery. The charger must be specified when ordering Rechargeable Simplicity Motorized shade. The charger plugs into the charging port of the motor.



The charger is black and comes with a 13' wire. The dimensions are 1" wide x 2½" length x 1¾" deep. **Charger MUST be specified when ordering EZ Charge Extension Wand.**

### Solar Panel Option

Dimensions: 19" x 1½"

The new solar panel option with mounting brackets plugs into any Simplicity Rechargeable Remote control shade (does not work with PowerTouch).

The solar panel provides a constant trickle charge to 7.4v Li-Ion Rechargeable battery packs. It does not require direct sunlight, but performs best in regular direct sunlight applications.

This option prolongs the life of the charge of the 7.4v rechargeable battery packs, and in some applications will maintain charge indefinitely.

Life of charge is subject to application variables, such as size and weight of the shade, frequency of shade use, amount of direct sunlight exposure, etc.



Solar Panel with mounting brackets

## Color Lux® Soft Roman Shades

### 7.4V SIMPLICITY RECHARGEABLE MOTORIZATION

#### Simplicity 5 Channel Remote

The Simplicity Remote features 5 individual frequency channels and an All channel that will operate all the shades at once.

The 5 Channel Simplicity remote is available in white and black. All remotes come with a holder which can be mounted to a wall for easy storage.



The remote controls utilizes one 3V battery (CR2430). Batteries are included. Comfortex will warranty batteries for up to 3 months from date of purchase. Remote control batteries are not covered by the limited lifetime warranty.

#### Standard Simplicity Battery Operated Motorized Shades Warranty

Please see page 85 for complete Comfortex warranty information.

#### Simplicity 14 Channel Remote

The Simplicity 14 Channel remote can operate up to fourteen shades individually or 14 groups. Simplicity Rechargeable Motorized Roller Shades are programmed at the factory with the “up and down” limits. The shades are **UNLINKED** from the remote so they are not able to operate during shipping. Each shade should be installed **after** linking it to the remote.

Simplicity 14 Channel remotes and holders are white in color. The remote comes with a holder which can be mounted to a wall for easy storage. The range of the remote is approximately 80 feet. A 14 Channel (14C) remote can be utilized on all Simplicity Motorized Shades.



Please Note: Unused channels can be hidden

### 7.4V EZ CHARGE EXTENSION WAND FOR RECHARGEABLE SHADES

EZ Charge Extension Wand is the newest innovation in rechargeable motorization. Easily charge your hard to reach Simplicity Rechargeable Shades with the EZ Charge Extension Wand to charge. The wand extends up to 31” in length.

Place the magnetized wand tip to the receiving port to attach. Then plug the charger into the base of the wand.



EZ Charge Wand | CKIT077  
Order with the EZ Charge Wall Mount Receiver Kit  
Wand is 9.5” and extends to 31”.

#### EZ Charge Extension Wand Option

All standard discounts apply.

- EZ Charge Wall Mount Receiver: \$20.00 List Price
- EZ Charge Wand: \$37.00 List Price

#### Simplicity 6 Channel Timer Remote

The 6 Channel (6C) timer remote combines the functionality of a six channel hand-held control with the convenience of a programmable timer.

- The 6C timer remote allows for different scheduled actions each day of the week.
- Manual function disables the timer and the remote then operates as a 6-channel hand held remote.



Simplicity 6C remotes and holders are white in color. The remote comes with a holder which can be mounted to a wall for easy storage. The range of the remote is approximately 80 feet.

#### THE FACTORY DOES NOT PROGRAM CHANNELS FOR SIMPLICITY RECHARGEABLE MOTORS.

The factory programs the upper and lower limits of every shade. Channel programming is completed after shade installation.

#### Please Note:

- Not all motors run at the same rate of speed.
- **REMOTES ARE NOT LINKED TO SHADES FROM THE FACTORY. SHADES MUST BE LINKED AFTER SHADE INSTALLATION.**
- Simplicity motors have a “Favorites” position setting. If the homeowner wants to set several shadings at the same intermediate position, follow instructions provided with installation manual.
- **WHEN ORDERING THE SIMPLICITY RECHARGEABLE, PLEASE ORDER THE NECESSARY BATTERY CHARGER.**

#### EZ Charge Wall Mount Receiver

- The EZ Charge Wall Mount Receiver includes screws and anchors. These can be used for wood or drywall mounting. Kit # CKIT078 (one per shade is needed)
- Extension cable plugs into charging port of Simplicity Rechargeable shades.



EZ Charge Wall Mount Receiver



EZ Charge Receiving Port



Port/Wand Connection

#### Battery Charger - SOLD SEPARATELY

COLOR LUX® SOFT ROMAN SHADES

# COLOR LUX® DESIGNER WINDOW SOLUTIONS DRAPERIES AND STATIONARY SIDE PANELS



COLOR LUX® WINDOW SOLUTIONS DRAPERY

**COLOR LUX**®  
*Designer Window Solutions*

# Color Lux® Designer Window Solutions Draperies and Stationary Side Panels

## FABRIC INFORMATION

The fabrics in the Color Lux Designer Window Solutions program have been specially selected for their beautiful hand and draping quality. Linen is a timeless fabric that brings elegance to any room in the home. Our Sateen Luster finish has a soft sheen that highlights any color or pattern. Sateen Matte offers a more subtle finish that accentuates patterns.

### Fabrics Available

Fabric Name	Fabric Content	Fabric Width	Fabric Weight	Wyzenbeek
Sateen Matte	100% Polyester	54"	212 GSM*	Passes 10,000 DR**
Sateen Luster	100% Polyester	54"	212 GSM*	Passes 10,000 DR**
Linen	100% Polyester	54"	250 GSM*	Passes 10,000 DR**

\* Grams per square meter

\*\* Double Rubs

### Cut Fabric Pricing - Dealer Discount Does Not Apply

All Patterns	Linear Yard Pricing
Sateen Matte	\$25 / linear yard
Sateen Luster	\$25 / linear yard
Linen	\$25 / linear yard












1 yard minimum for cut fabric orders. There are no additional cutting fees.

All Fabrics	With FR Treatment (50 Yard Minimum)
Sateen Matte	\$30 / linear yard
Sateen Luster	\$30 / linear yard
Linen	\$30 / linear yard

There are no additional cutting fees. Call customer service for additional details. Rating is based on NFPA No. 701 (Test 1, Small Scale) and CA Title 19 - Public Safety, Section 1237

# Color Lux® Designer Window Solutions Draperies and Stationary Side Panels

## PANEL STYLE OVERVIEW

<p><b>Grommet Style - CLD1</b></p>  <p>See page 19</p>	<p><b>Two Fingered Pinch Pleat - CLD6</b></p>  <p>See page 23</p>
<p><b>Rod Pocket (Without Heading) - CLD2</b></p>  <p>See page 20</p>	<p><b>Three Fingered Pinch Pleat - CLD7</b></p>  <p>See page 23</p>
<p><b>Rod Pocket (With 2" Heading) - CLD3</b></p>  <p>See page 20</p>	<p><b>Two Fingered Euro Pleat - CLD8</b></p>  <p>See page 24</p>
<p><b>Soft Top - CLD4</b></p>  <p>See page 21</p>	<p><b>Three Fingered Euro Pleat - CLD9</b></p>  <p>See page 24</p>
<p><b>Hidden Tab Top - CLD5</b></p>  <p>See page 22</p>	<p><b>Inverted Pleat - CLD10</b></p>  <p>See page 25</p>
<p><b>Ripplefold Draperies - CLD11</b></p>  <p>See page 26</p>	

COLOR LUX® WINDOW SOLUTIONS DRAPERY

# Color Lux® Designer Window Solutions Draperies and Stationary Side Panels

## PANEL STYLES

### Grommet Style

Style Number: CLD1



The Grommet style is a soft folding, casual pleat. Grommets are installed near the top of the panel through which the rod is inserted.

#### Grommet Panel Specifications:

- Grommet Size:
  - Round = 1 $\frac{1}{16}$ " inside diameter, 2 $\frac{3}{8}$ " outside diameter
  - Square = 1 $\frac{1}{16}$ " inside edge to edge, 2 $\frac{3}{8}$ " outside edge to edge (recommended for stationary panels)
- Grommets color coordinated with drapery hardware:
  - Black (Suggested coordination with Black Rods or Burnt Gold Rods)
  - Black Nickel
  - Chrome
  - Pewter
  - Old Gold
  - Antique Copper (Suggested coordination with Oil Rubbed Bronze Rods)
- Grommet edge placed  $\frac{7}{8}$ " down from top of drape. Top of rod is approximately 1 $\frac{1}{4}$ " down from top of drape.
- Grommets are spaced evenly across width; 8 grommets per width
- First grommet starts 1 $\frac{1}{2}$ " from leading edge

#### General Specifications:

- 2 x 1 fullness
- Custom widths available
- Custom lengths available up to 180" (longer lengths available; call customer service)
- Sewn with color coordinated thread
- Weighted corners
- Matching Tie Backs are available in 24", 36" and 48"
- Use 1 $\frac{1}{8}$ " (metal) or 1 $\frac{3}{8}$ " (wood) diameter decorative drapery rod with finials
- Dry Cleaning recommended

#### Hemming:

- 4" double turned bottom hems standard (3" and 6" hem options are available)
- 1 $\frac{1}{2}$ " double turned side hems
- 4" double turned top hem is standard
- All hems blind stitched

#### Lining Options:

- Fully lined with 100% cotton privacy liner is standard –white or ivory (please specify)
- 100% Cotton Interlining is available as an upgrade option
- Blackout liner is 100% polyester and is available as an upgrade option (see page 30)
- Napped liner is 100% cotton and is available as a replacement to the standard light filtering liner

# Color Lux® Designer Window Solutions Draperies and Stationary Side Panels

## PANEL STYLES

### Rod Pocket Panel with No Heading Style Number: CLD2



No Heading

### Rod Pocket Panel with 2" Heading Style Number: CLD3



2" Heading

The rod pocket is a popular traditional style that's easy to mount. A pocket is formed at the top of the panel and a drapery rod is then inserted through the pocket. A rod pocket is a versatile solution that can be used alone on a decorative rod or under a valance or cornice.

#### Rod Pocket Specifications:

- Rod pocket sizes are available in 2½", 3½" and 4". The 2½" pocket is recommended for use with 1½" diameter rods, 3½" pocket is recommended for 1¾" diameter rods, and 4" pockets are recommended with 2" diameter rods.
- Available with or without heading
  - With heading: 2" heading is standard
- Not Available with Traverse Rods

#### General Specifications:

- 2 x 1 fullness
- Custom widths available
- Custom lengths available up to 180" (longer lengths available; call customer service)
- Sewn with color coordinated thread
- Weighted corners
- Matching Tie Backs are available in 24", 36" and 48"
- Use 1½" (metal), 1½" Venus (metal) or 1¾" (wood) diameter decorative drapery rod with finials
- Dry Cleaning recommended

#### Hemming:

- 4" double turned bottom hems standard (3" and 6" hem options are available)
- 1½" double turned side hems
- 4" double turned top hem is standard
- All hems blind stitched

#### Lining Options:

- Fully lined with 100% cotton privacy liner is standard –white or ivory (please specify)
- 100% Cotton Interlining is available as an upgrade option
- Blackout liner is 100% polyester and is available as an upgrade option (see page 30)
- Napped liner is 100% cotton and is available as a replacement to the standard light filtering liner



# Color Lux® Designer Window Solutions Draperies and Stationary Side Panels

## PANEL STYLES

### Soft Top

Style Number: CLD4



The Soft Top is a flat panel of drapery fabric. Pins are provided separately with every panel.

#### Soft Top Specifications:

- Double turned heading with 4" buckram for stability
- 3½" leading edge
- Custom lengths are available up to 180"
- Returns are not available
- Not Available with Traverse Rods

#### General Specifications:

- 2 x 1 fullness
- Custom widths available
- Custom lengths available up to 180" (longer lengths available; call customer service)
- Sewn with color coordinated thread
- Weighted corners
- Matching Tie Backs are available in 24", 36" and 48"
- Use 1⅛" (metal), 1½" Venus (metal) or 1⅜" (wood) diameter decorative drapery rod with finials
- Dry Cleaning recommended

#### Hemming:

- 4" double turned bottom hems standard (3" and 6" hem options are available)
- 1½" double turned side hems
- 4" double turned top hem is standard
- All hems blind stitched

#### Lining Options:

- Fully lined with 100% cotton privacy liner is standard –white or ivory (please specify)
- 100% Cotton Interlining is available as an upgrade option
- Blackout liner is 100% polyester and is available as an upgrade option (see page 30)
- Napped liner is 100% cotton and is available as a replacement to the standard light filtering liner

# Color Lux® Designer Window Solutions Draperies and Stationary Side Panels

## PANEL STYLES

### Hidden Tab Top Style Number: CLD5



The Hidden Tab Top is another popular casual contemporary style. 3¼" tabs are attached on the back near the top of panel through which the drapery rod may be inserted. Though similar to a rod pocket, the tab top provides a softer more contemporary relaxed pleated look.

#### Hidden Tab Top Specifications:

- Back tabs measure 3¼" in length
- Tabs start 1" from the edge of the panel
- Tabs match drapery fabric
- Tabs are evenly spaced on the panel
- Returns are not available
- Not Available with Traverse Rods

#### General Specifications:

- 2 x 1 fullness
- Custom widths available
- Custom lengths available up to 180" (longer lengths available; call customer service)
- Sewn with color coordinated thread
- Weighted corners
- Matching Tie Backs are available in 24", 36" and 48"
- Use 1⅛" (metal), 1½" Venus (metal) or 1⅜" (wood) diameter decorative drapery rod with finials
- Dry Cleaning recommended

#### Hemming:

- 4" double turned bottom hems standard (3" and 6" hem options are available)
- 1½" double turned side hems
- 4" double turned top hem is standard
- All hems blind stitched

#### Lining Options:

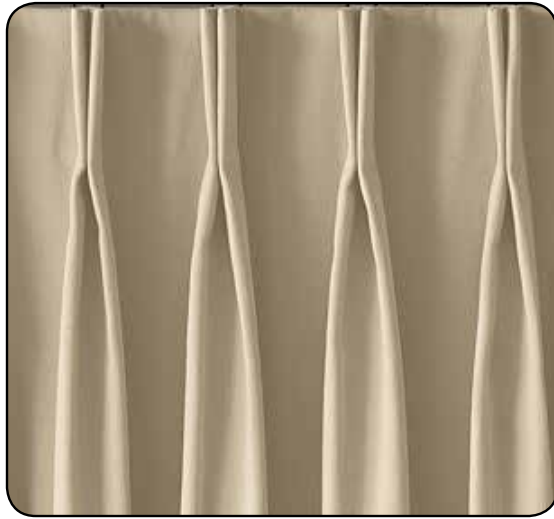
- Fully lined with 100% cotton privacy liner is standard –white or ivory (please specify)
- 100% Cotton Interlining is available as an upgrade option
- Blackout liner is 100% polyester and is available as an upgrade option (see page 30)
- Napped liner is 100% cotton and is available as a replacement to the standard light filtering liner

# Color Lux® Designer Window Solutions Draperies and Stationary Side Panels

## PANEL STYLES

### Two Fingered Pinch Pleat

Style Number: CLD6



Two Fingered Pinch Pleat

### Three Fingered Pinch Pleat

Style Number: CLD7



Three Fingered Pinch Pleat

The Two Fingered or Three Finger Pinched Pleat is a traditional style that is formed into finger “flutes” and can be hung using drapery pins over a standard return rod or to a decorative rod using pins and rings.

#### Two Finger and Three Finger Pinched Pleat Specifications:

- Hand crafted two and three fold pleats with 4” buckram tacked from the bottom
- 5 pleats per width; 5 rings per width
- 3½” overlap is standard
- 3½” return is standard (returns are also available in 6”)
- Pins can be inserted at the factory; available with ½” setting (recommended for use with rings) or 1½” setting (recommended for use with a traverse rod)
- The Two Fingered Pinch Pleat is recommended but not required if Blackout Lining is ordered.

#### General Specifications:

- Deluxe 2½ x 1 fullness
- Two Fingered Pinch Pleat - Seams will be hidden
- Custom widths available
- Custom lengths available up to 180” (longer lengths available; call customer service)
- Sewn with color coordinated thread
- Weighted corners
- Matching Tie Backs are available in 24”, 36” and 48”
- Use 1⅛” (metal), 1½” Venus (metal) or 1⅜” (wood) diameter decorative drapery rod with finials
- Dry Cleaning recommended

#### Hemming:

- 4” double turned bottom hems standard (3” and 6” hem options are available)
- 1½” double turned side hems
- 4” double turned top hem is standard
- All hems blind stitched

#### Lining Options:

- Fully lined with 100% cotton privacy liner is standard –white or ivory (please specify)
- 100% Cotton Interlining is available as an upgrade option
- Blackout liner is 100% polyester and is available as an upgrade option (see page 30)
- Napped liner is 100% cotton and is available as a replacement to the standard light filtering liner

COLOR LUX® WINDOW SOLUTIONS DRAPERY

# Color Lux® Designer Window Solutions Draperies and Stationary Side Panels

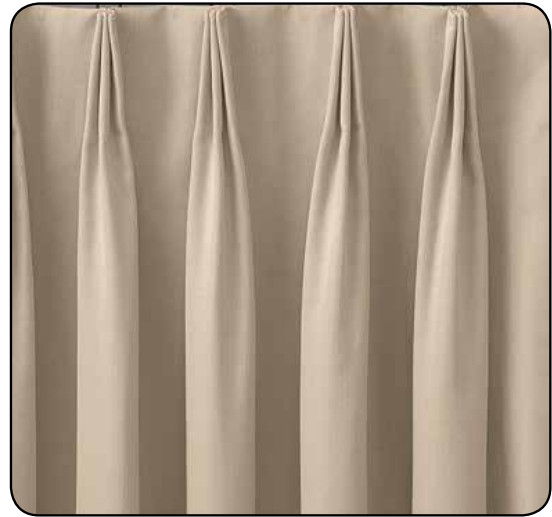
## PANEL STYLES

### Two Fingered Euro Pleat Style Number: CLD8



Two Fingered Euro Pleat

### Three Fingered Euro Pleat Style Number: CLD9



Three Fingered Euro Pleat

The Euro Pleat is a contemporary version of the Pinched Pleat Panel. The pleat is pinched at the top of the “flute” and can be hung using drapery pins over a standard return rod or to a decorative rod using pins and rings.

#### Two Finger and Three Finger Euro Pleat Specifications:

- Hand crafted two and three fold pleats with 4” buckram tacked from the top
- 5 pleats per width; 5 rings per width
- 3½” overlap is standard
- 3½” return is standard (returns are also available in 6”)
- Pins can be inserted at the factory; available with ½” setting (recommended for use with rings) or 1½” setting (recommended for use with a traverse rod)
- The Two Fingered Euro Pleat is recommended but not required if Blackout Lining is ordered.

#### General Specifications:

- Deluxe 2½ x 1 fullness
- Two Fingered Euro Pleat - Seams will be hidden
- Custom widths available
- Custom lengths available up to 180” (longer lengths available; call customer service)
- Sewn with color coordinated thread
- Weighted corners
- Matching Tie Backs are available in 24”, 36” and 48”
- Use 1½” (metal), 1½” Venus (metal) or 1¾” (wood) diameter decorative drapery rod with finials
- Dry Cleaning recommended

#### Hemming:

- 4” double turned bottom hems standard (3” and 6” hem options are available)
- 1½” double turned side hems
- 4” double turned top hem is standard
- All hems blind stitched

#### Lining Options:

- Fully lined with 100% cotton privacy liner is standard –white or ivory (please specify)
- 100% Cotton Interlining is available as an upgrade option
- Blackout liner is 100% polyester and is available as an upgrade option (see page 30)
- Napped liner is 100% cotton and is available as a replacement to the standard light filtering liner

## Color Lux® Designer Window Solutions Draperies and Stationary Side Panels

## PANEL STYLES

## Inverted Pleat

Style Number: CLD10



In the Inverted Pleat, the pleats are hidden from view by a flat front. This style provides a “full”, unique look. It is hung from a drapery rod with pins.

**Inverted Pleat Specifications:**

- Double turned heading with 4” buckram for stability
- 5 pleats per width; 5 rings per width
- 3½” overlap is standard
- 3½” return is standard (returns are also available in 6”)

**General Specifications:**

- Deluxe 2½ x 1 fullness
- Custom widths available
- Custom lengths available up to 180” (longer lengths available; call customer service)
- Sewn with color coordinated thread
- Weighted corners
- Matching Tie Backs are available in 24”, 36” and 48”
- Use 1½” (metal), 1½” Venus (metal) or 1¾” (wood) diameter decorative drapery rod with finials
- Dry Cleaning recommended

**Hemming:**

- 4” double turned bottom hems standard (3” and 6” hem options are available)
- 1½” double turned side hems
- 4” double turned top hem is standard
- All hems blind stitched

**Lining Options:**

- Fully lined with 100% cotton privacy liner is standard –white or ivory (please specify)
- 100% Cotton Interlining is available as an upgrade option
- Blackout liner is 100% polyester and is available as an upgrade option (see page 30)
- Napped liner is 100% cotton and is available as a replacement to the standard light filtering liner

# Color Lux® Designer Window Solutions Draperies and Stationary Side Panels

## PANEL STYLES

### Ripplefold Drapery Style Number: CLD11



Ripplefold draperies provide a more contemporary look than pleated draperies and are distinguishable by their soft ripples. All ripplefold draperies operate using a special traversing track. Please see pages 58 - 60 for track details and options. IT IS STRONGLY RECOMMENDED TO USE THE COMFORTEX RIPPLEFOLD TRACK FOR THE BEST RESULTS.

#### Ripplefold Drapery Specification

- The snap spacing on the snap tape is always 4¼" along the tape. Spacing between carriers is based on fullness factor. Select one below when ordering:
- No returns are standard (returns are available in 3½" and 6" options)
- 80% fullness has carrier spacing of 2¾"
- 100" fullness has carrier spacing of 2⅛"
- 120" fullness has carrier spacing of 1⅞"
- See page 29 for stackback chart

#### General Specifications:

- Custom Widths Available
- Custom lengths available up to 180" (longer lengths available; call customer service)
- Sewn with color coordinated thread
- Weighted corners
- Use Comfortex Ripplefold track system in ⅛" (metal), or 1½" Venus (metal) (pages 58 and 69)
- Dry Cleaning recommended

#### Hemming:

- 4" double turned bottom hems standard (3" and 6" hem options are available)
- 1½" double turned side hems
- 4" double turned top hem is standard
- All hems blind stitched

#### Lining Options:

- Fully lined with 100% cotton privacy liner is standard –white or ivory (please specify)
- 100% Cotton Interlining is available as an upgrade option
- Blackout liner is 100% polyester and is available as an upgrade option (see page 30)
- Napped Lining is available as an alternative to standard lining. Cannot be used with other lining

## Drapery List Price for Linen and Sateen Fabric - Pair or Single Panel

Standard Light Filtering Liner Included

Price Grid 3

Face Width To:	36"	58"	78"	100"	122"	144"	166"	187"
Widths of Fabric	2	3	4	5	6	7	8	9
<b>Lengths to 60"</b>	490	792	1021	1279	1538	1880	2462	2671
<b>72"</b>	551	859	1107	1393	1683	2065	2690	2900
<b>84"</b>	597	928	1193	1499	1811	2224	2884	3094
<b>96"</b>	622	996	1282	1610	1943	2382	3075	3286
<b>120"</b>	679	1128	1446	1815	2191	2684	3454	3664
<b>144"</b>	760	1194	1522	1903	2282	2784	3714	3925
<b>156"</b>	817	1415	1733	2115	2493	3006	3925	4135
<b>168"</b>	874	1634	1944	2325	2704	3225	4135	4347
<b>180"</b>	917	1855	2155	2536	2915	3446	4347	4556

### DRAPERY SURCHARGES AND UPGRADES

**Grommet Surcharge:** 1 1/8" Rod: Add \$117 to ordered width

**Napped Lining:** Add \$248 to ordered width (not available with blackout liner or interlining)

**Blackout Liner Surcharge:** Add \$248 to ordered width

**Interlining Surcharge:** Add \$286 to ordered width

**Matching Fabric Tieback Surcharge:** Add \$64 each

**Please Note:** Measurements should equal the exact width of the window, plus any frame. If ordering pleated draperies, adding a minimum of 4" to 6" on each side will provide ideal light control and privacy. We have made allowances for 3 1/2" returns, overlaps and a 2 1/2 x 1 fullness for pleated styles and 2x1 fullness for non-pleated styles.

Page 80 provides additional stackback and recommended rod width information.

Finished height includes bottom hems. Add a minimum of 4" to allow for adequate mounting area above the window.

Keep in mind that rings and pins add length. 1/2" and 1 1/2" pin settings are available.

**Ornamental Block Patterns** have a minimum length of 92" to ensure the full design is visible.

## Stationary Panel List Price for Linen and Sateen Fabric - Single Panel

Standard Light Filtering Liner Included

Price Grid 4

Panel Width	20"	32"	40"
Widths of Fabric	1	1 1/2	2
<b>Lengths To 60"</b>	245	295	469
<b>84"</b>	326	390	610
<b>120"</b>	410	493	778
<b>180"</b>	579	693	1071
<b>Fabric Wrapped Mounting Board</b>	104	125	152

### STATIONARY PANEL SURCHARGES AND UPGRADES

**Grommet Surcharge:** Add \$59 per panel for 1 1/8" rod

**Napped Lining:** Add \$125 per panel

**Blackout Liner Surcharge:** Add \$125 per panel

**Interlining Surcharge:** Add \$143 per panel

**Matching Fabric Tieback Surcharge:** Add \$64 each

See page 30 for details on Fabric Wrapped Mounting Boards for Stationary Panels

**Please Note:** Stationary Panels are only available in widths of 20", 32" and 40". Pricing is by the single panel and is available with right return or left return. Panels can also be ordered as pairs. Custom heights are available. Napped Liner is not available with blackout liner or interlining.

Finished height includes bottom hems. Add a minimum of 4" to allow for adequate mounting area above the window. Keep in mind that rings and pins add length. 1/2" and 1 1/2" pin settings are available.

**FR Treated Stationary Panels and Draperies:** Topical FR treatment can be applied to all drapery fabrics. Rating is based on NFPA No. 701 (Test 1, Small Scale) and CA Title 19 - Public Safety, Section 1237.

**Add 20% surcharge to finished product list price. Additional handling time will be required for all FR orders.**

**Ornamental Block Patterns** have a minimum length of 92" to ensure the full design is visible.

COLOR LUX® WINDOW SOLUTIONS DRAPERY

# Ripplefold Draperies Linen and Sateen Fabric - Pair or Single Panel

## Standard Light Filtering Liner Included

Price Grid 5

Width To:	44"	58"	80"	110"	132"	154"	164"	197"
Widths of Fabric	2	3	4	5	6	7	8	9
Lengths to 60"	568	919	1184	1484	1784	2181	2857	3100
72"	639	997	1284	1617	1953	2396	3122	3365
84"	692	1077	1385	1739	2102	2580	3345	3590
96"	721	1156	1488	1869	2254	2763	3569	3813
120"	788	1308	1678	2107	2542	3114	4008	4252
144"	881	1386	1767	2209	2648	3231	4310	4554
156"	947	1643	2010	2453	2894	3488	4554	4798
168"	1013	1897	2256	2697	3138	3743	4798	5044
180"	1064	2153	2501	2943	3382	3998	5044	5287

### RIPPLEFOLD DRAPERY SURCHARGES AND UPGRADES

**Napped Liner Surcharge:** Add \$248 to ordered width (not available with blackout liner or interlining)

**Blackout Liner Surcharge:** Add \$248 to ordered width

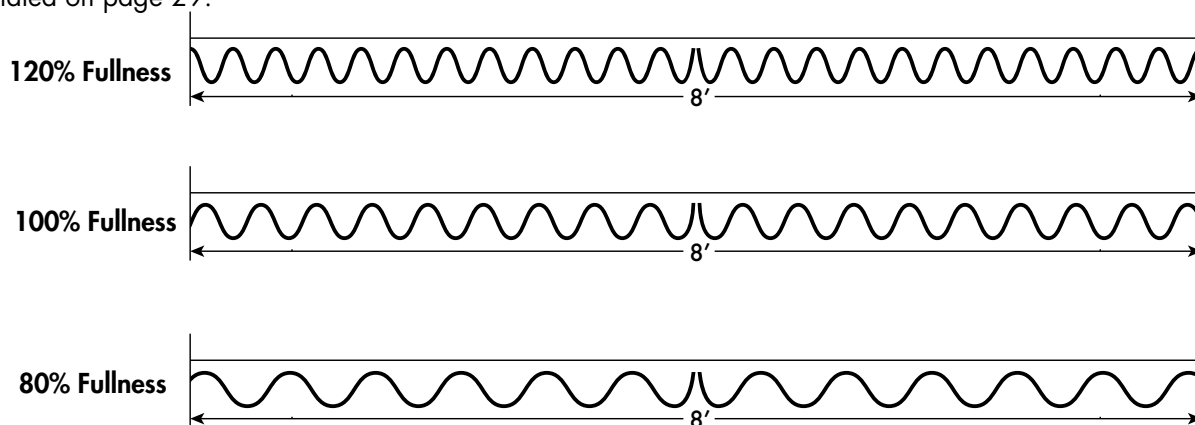
**Interlining Surcharge:** Add \$286 to ordered width

**Measuring Note:** When providing ripplefold width to Comfortex, provide the finished rod width only. The ordered height is the length of the fabric panel only, NOT including the track hardware. The Comfortex Ripplefold track adds at least 1 3/8" to the ordered height. Mounting brackets found on page 59 indicate the necessary deductions to take from the ordered height.

**Ornamental Block Patterns** have a minimum length of 92"

### Fullness Factor

Ripplefold fullness factors are available to order in 80%, 100% or 120% fullness. Stackback dimensions are estimated on page 29.

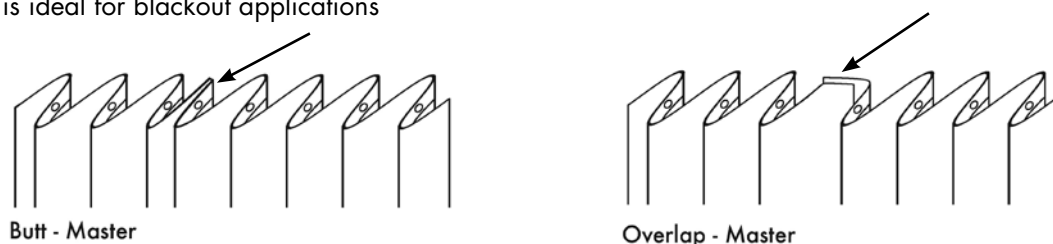


### Seam Exposure

Ripplefold draperies, depending on the fullness factor chosen, may have visible seams. The higher the fullness factor the less likely a seam will be visible.

### Butting Vs. Overlap

When ordering, please specify if the center pleats should be made to overlap or butt together. See illustration below. Overlap is ideal for blackout applications



COLOR LUX® WINDOW SOLUTIONS DRAPERY



# Color Lux® Designer Window Solutions Draperies and Stationary Side Panels

## RIPPLEFOLD STACKBACK CHART

The below stackback charts are estimates only, and can vary based on selecting overlap-master or butt-master and liner type. If choosing butt-master, subtract 2-3 inches from fabric stack back number below.

Rod Width			FABRIC STACK BACK
120% Fullness	100% Fullness	80% Fullness	
11-14	12-16	14-17	8
15-18	17-20	18-22	9
19-21	21-24	23-27	9 <sup>3</sup> / <sub>4</sub>
22-25	25-28	28-32	10 <sup>3</sup> / <sub>4</sub>
26-29	29-32	33-36	11 <sup>1</sup> / <sub>2</sub>
30-33	33-37	37-41	12 <sup>1</sup> / <sub>2</sub>
34-36	38-41	42-46	13 <sup>1</sup> / <sub>4</sub>
37-40	42-45	47-51	14 <sup>1</sup> / <sub>4</sub>
41-44	46-50	52-55	15
45-48	51-54	56-60	16
49-51	55-58	61-65	16 <sup>3</sup> / <sub>4</sub>
52-55	59-62	66-70	17 <sup>3</sup> / <sub>4</sub>
56-59	63-66	71-74	18 <sup>1</sup> / <sub>2</sub>
60-63	67-71	75-79	19 <sup>1</sup> / <sub>2</sub>
64-66	72-75	80-84	20 <sup>1</sup> / <sub>4</sub>
67-70	76-79	85-89	21 <sup>1</sup> / <sub>4</sub>
71-74	80-84	90-93	22
75-78	85-88	94-98	22 <sup>3</sup> / <sub>4</sub>
79-81	89-92	99-103	23 <sup>1</sup> / <sub>2</sub>
82-85	93-96	104-108	24 <sup>1</sup> / <sub>4</sub>
86-89	97-101	109-112	25
90-93	102-105	113-117	25 <sup>3</sup> / <sub>4</sub>
94-96	106-109	118-122	26 <sup>1</sup> / <sub>2</sub>
97-100	110-113	123-127	27 <sup>1</sup> / <sub>4</sub>
101-104	114-118	128-131	28 <sup>1</sup> / <sub>4</sub>
105-108	119-122	132-136	29
109-111	123-126	137-141	30
112-115	127-130	142-146	31
116-119	131-136	147-150	31 <sup>3</sup> / <sub>4</sub>
120-123	137-139	151-155	32 <sup>3</sup> / <sub>4</sub>
124-126	140-143	156-160	33 <sup>1</sup> / <sub>2</sub>
127-130	144-147	161-165	34 <sup>1</sup> / <sub>2</sub>
131-134	148-152	166-169	35 <sup>1</sup> / <sub>4</sub>
135-138	153-156	170-174	36 <sup>1</sup> / <sub>4</sub>
139-141	157-160	175-179	37
142-145	161-164	180-184	38
146-149	165-168	185-188	39
150-153	169-173	189-193	39 <sup>3</sup> / <sub>4</sub>
154-156	174-177		40 <sup>3</sup> / <sub>4</sub>
157-160	178-181		41 <sup>1</sup> / <sub>2</sub>
161-164	182-186		42 <sup>1</sup> / <sub>2</sub>
165-168	187-190		43 <sup>1</sup> / <sub>4</sub>
169-171			44 <sup>1</sup> / <sub>4</sub>
172-175			45 <sup>1</sup> / <sub>4</sub>
176-179			46
180-183			47
184-186			48
187-190			49 <sup>3</sup> / <sub>4</sub>

### How to Use Stack Back Chart

- 1) Decide which ripplefold fullness is desired. Example: 100%
- 2) Select finished face width of draperies under the desired fullness column. Example: 84"
- 3) The total fabric stack back is 22", 11" per side for split draw.

### Pricing Example for Ripplefold Draperies (Page 28):

- 1) Select fabric Type: Linen, Sateen Matte, Sateen Luster
  - 2) Select Color Lux Pattern or Color Lux Solid
  - 3) Measure rod width. Example: 96"
  - 4) Measure panel length (excluding track hardware).  
Example: 110"
- 96" x 110" Ripplefold Drapery = **\$2,107**
- 5) Select Fullness: 80%, 100%, 120%
  - 6) Select whether to overlap or butt two panels when drawn.
  - 7) Select Draw type: One way left, One way right, Split
- Optional Steps Include:
- 8) Select Lining type if changing Standard Light Filtering:  
Napped, Blackout or Interlining  
Interlining Surcharge = **\$286**
  - 9) Select Return Size: 3½" standard or 6". No Return is Standard
  - 10) Select Bottom Hem Size: 3", 4" standard or 6"
- TOTAL LIST PRICE BEFORE DEALER DISCOUNT = \$2,393**

### Pricing Example for Drapery with 2 Fingered Euro Pleat (Page 27):

- Rod Width = 120" (this includes trim and any additional width desired)  
 Length = 96" (finished length with hem size included)  
**Drapery List Price** (Split or Single Panel)= **\$1,943**  
 Six widths of fabric will be used  
**Add Blackout Lining** = **\$248**
- TOTAL LIST PRICE BEFORE DEALER DISCOUNT = \$2,191**

### Pricing Example for Pair of Stationary Panels with Grommets (Page 27):

- Panel Width = 32"  
 Length = 96" (finished length with hem included)  
**Stationary Panel List Price** = \$493 (single panel)  
 \$493 x 2 panels = **\$986**  
**Add Grommet Surcharge** = \$59 (single panel)  
 \$59 x 2 panels = **\$118**  
**Add Napped Lining Surcharge** = \$125 (single panel)  
 \$125 x 2 panels = **\$250**
- TOTAL LIST PRICE BEFORE DEALER DISCOUNT = \$1,354**

COLOR LUX® WINDOW SOLUTIONS DRAPERY

# Color Lux® Designer Window Solutions Draperies and Stationary Side Panels

## UPGRADE GENERAL INFORMATION

### Blackout Lining Option / Upgrade

A blackout lining is perfect when additional light control is needed. It greatly reduces the transmission of light into a room, and is ideal for bedrooms and media rooms.

- There will be some light penetration at the top and outside edges.
- Some light marks may show where the panels are stitched. Be aware that small pinholes of light may appear where there is stitching.
- A panel with blackout lining will not hold soft folds like a standard lining. Blackout lining is stiffer but will relax slightly when hung.
- Two Fingered pleats are recommended if blackout lining is required due to the stiffness of the material.
- Interlining is not recommended in combination with Blackout Lining.
- Available in White or Ivory. Please specify.
- **PLEASE NOTE REGARDING LIGHT COLORED DRAPERIES WITH BLACKOUT LINER:** Light colored solid draperies with Blackout Liner will have visible black stitches in the top pleats due to blackout liner contents.

### Napped Lining Option / Upgrade

- 100% Cotton
- 7.5 oz napped lining is a replacement for standard light filtering lining, and provides more body to the panel. Napped lining cannot be used in conjunction with interlining or blackout lining.

### Interlining Option / Upgrade

Interlining is a soft brushed 100% cotton fabric that provides extra body and added protection UV-ray damage.

- The 5 oz. interlining is placed between the regular lining and the face fabric.
- Consider heavy duty and fully enclosed brackets for stronger support on these heavier panels.

### Fabric Wrapped Mounting Board for Pleated Stationary Panels

Stationary Panels for all pleated styles can be mounted on a fabric wrapped board, eliminating the need for hardware. Eye hooks are placed and spaced to match the pleated stationary panel ordered. 1/2" pin placement is recommended when using fabric wrapped mounting boards to help conceal the board.

**Linings:** All stationary panels come standard with a light filtering liner. Blackout Lining, Napped Lining and Interlining is available as an upgrade and can be used with Fabric Wrapped Mounting Boards.

**Size:** Stationary Panels are available at 20", 32" and 40" finished widths. All Fabric Wrapped Mounting Boards will match the width ordered of the stationary panel.

**Returns** are standard at 3 1/2" with 6" or no return as optional. If a right, left or pair of stationary panels are ordered, returns on the board will be made to match the panel. Please indicate in special instructions if **Both Returns** or **No Returns** is desired.



**Left Return**

The left side of the panel fabric returns to the wall



**Right Return**

The right side of the panel fabric returns to the wall



Fabric Wrapped Mounting Board for Pleated Stationary Panels have perfectly spaced eye-hooks to match the ordered stationary panel



**Both Returns**

Both sides of the panel fabric return to the wall



**Both Mitered/No Returns**

Neither side of the panel fabric returns to the wall



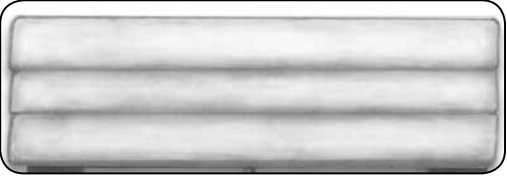

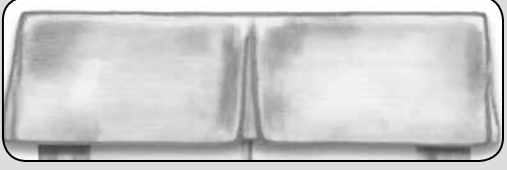

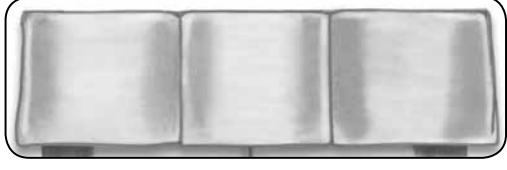
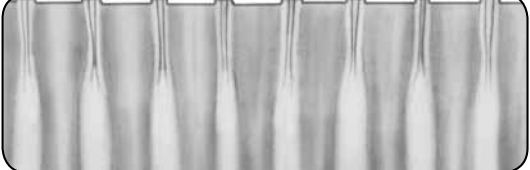
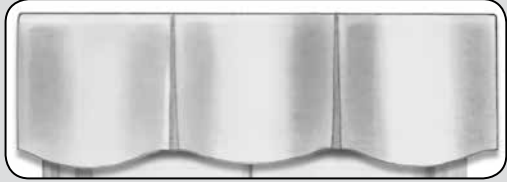
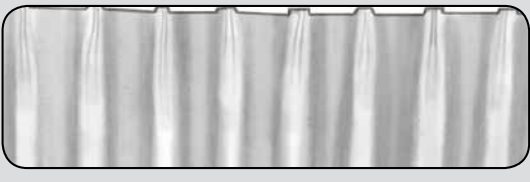
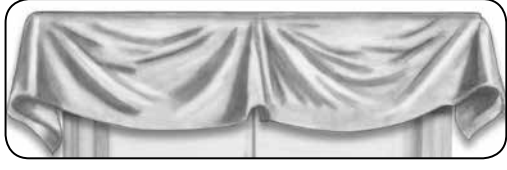
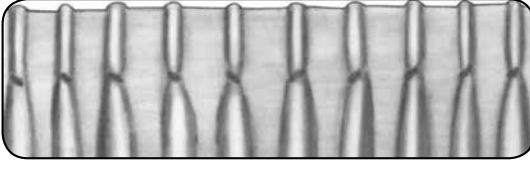

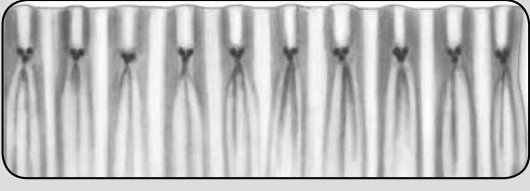


Returns also have eye-hooks for easy installation and attachment

# COLOR LUX® DESIGNER WINDOW SOLUTIONS VALANCES



**Color Lux® Designer Window Solutions Valances**  
**STYLES OVERVIEW**

COLOR LUX® WINDOW SOLUTIONS VALANCES

Board Mounted Valances		Cornices and Rod Mounted Valances	
<b>Soft Fold CLB1</b>  Page 33		<b>Contoured Classic Cornice CLB7</b>  Page 36	
<b>Center Box Pleat CLB2</b>  Page 33		<b>Straight Classic Cornice CLB8</b>  Page 36	
<b>Multi Pleat Box with Straight Edge CLB3</b>  Page 34		<b>Three Fingered Pleat CLR1</b>  Page 37	
<b>Multi Pleat Box with Scalloped Edge CLB4</b>  Page 34		<b>Euro Pleat CLR2</b>  Page 37	
<b>Empire Swag CLB5</b>  Page 35		<b>Combo Pleat CLR3</b>  Page 38	
<b>Federal Swag CLB6</b>  Page 35		<b>Champagne Pleat CLR4</b>  Page 38	
<b>Soft Wave CLB9</b>  Page 36		<b>Color Lux Fabric Cornice</b>  Page 40	

# Color Lux® Designer Window Solutions Valances

## VALANCE STYLES

COLOR LUX® WINDOW SOLUTIONS VALANCES

### Soft Fold Valance (CLB1)



This soft roman valance with cascading folds that wrap around the corners features a sophisticated tailored look that works well in both contemporary and casual décor. Every hobble in the Soft Fold Valance is evenly spaced.

**Specifications:**

- **Construction:** Board mounted
- **Mount:** Outside mount with returns
- **Widths:** Custom widths available
- **Heights:** 14", 16" (standard), 18" and 20"
- **Returns:** 3½" returns are standard (2½" and 6" available)
- **Fabrics:** Available in all fabrics, patterns and color-ways
- **Lining:** Blackout lining only, White or Ivory
- **Side legs** are standard with the Soft Fold Valance. Each leg measures ¾" thick. Inside measurement is 1½" narrower between the two legs

Minimum width = 12"  
Maximum width = 192"

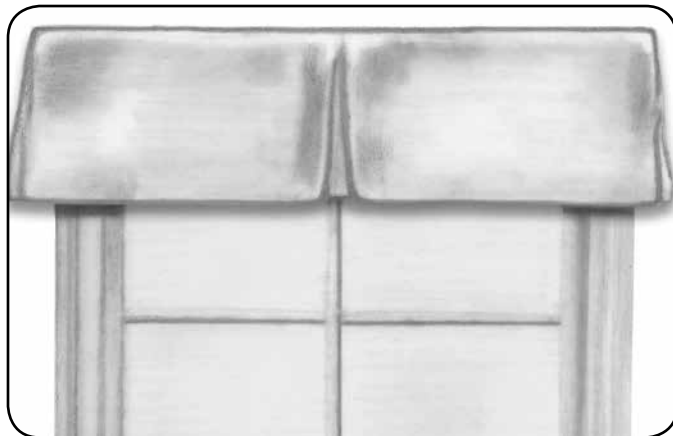
### Price Grid 6

**List Price**

Width to	24"	36"	48"	60"	72"	84"	96"	108"	120"	132"	144"	156"	168"	180"	192"
	367	442	553	619	690	774	828	929	1078	1210	1330	1491	1585	1773	1835

Provide Face Width Measurement Only

### Center Box Pleat Valance (CLB2)



This simple but elegant box design features corner pleats with a single inverted center pleat.

**Specifications:**

- **Construction:** Board mounted
- **Mount:** Outside mount with returns
- **Widths:** Custom widths available
- **Heights:** 14", 16" (standard), 18" and 20"
- **Pleats:** Single pleats on corner or one center pleat
- **Returns:** 3½" returns are standard (2½" and 6" available)
- **Fabrics:** Available in all fabrics, patterns and color-ways
- **Lining:** Blackout lining only, White or Ivory
- **Welting:** ¼" welting at top optional
- **Side legs** are not available

Minimum width = 12"  
Maximum width = 192"

### Price Grid 7

**List Price**

Width to	24"	36"	48"	60"	72"	84"	96"	108"	120"	132"	144"	156"	168"	180"	192"
	367	442	553	619	690	774	828	929	1078	1210	1330	1491	1585	1773	1835

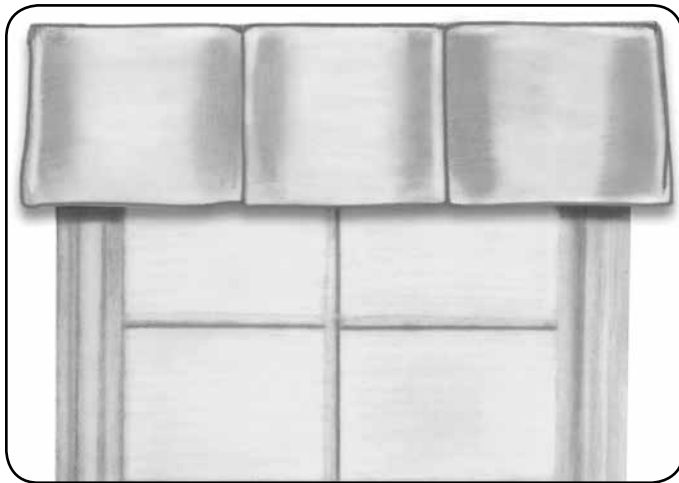
Provide Face Width Measurement Only

Color Lux® Designer Window Solutions Valances

VALANCE STYLES

COLOR LUX® WINDOW SOLUTIONS VALANCES

Multi Pleat Box Valance  
Straight Edge (CLB3)



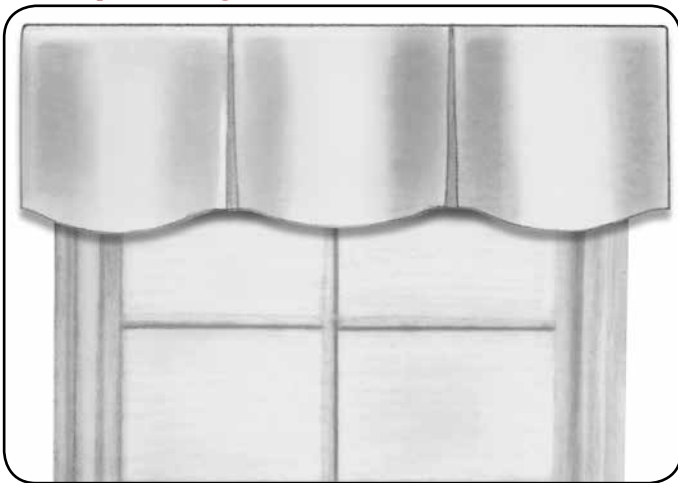
Minimum width = 24"  
Maximum width = 192"

This popular box style valance features corner pleats and inverted center pleats that are evenly spaced across the front.

Specifications:

- **Construction:** Board mounted
- **Mount:** Outside mount with returns
- **Widths:** Custom widths available
- **Heights for Straight Edge:** 14", 16" (standard), 18" and 20"
- **Long Point Scalloped Edge:** Available 14", 16" (standard), 18" and 20"
- **Short Point Scalloped Edge:** Predetermined by Long Point. Subtract 3".
- **Returns:** 3½" returns are standard (2½" and 6" available)
- **Fabrics:** Available in all fabrics, patterns and color-ways
- **Lining:** Blackout lining only, White or Ivory
- **Pattern Match** is standard for these styles
- **Welting:** ¼" welting at top optional
- **Side legs** are not available
- **Pleats:** Single pleats in corners

Scalloped Edge (CLB4)



Minimum width = 24"  
Maximum width = 192"

Center pleats:

- 2 pleats up to 30" wide
- 3 pleats up to 45" wide
- 4 pleats up to 60" wide
- 5 pleats up to 75" wide
- 6 pleats up to 90" wide
- 7 pleats up to 105" wide
- 8 pleats up to 120" wide
- 9 pleats up to 135" wide
- 10 pleats up to 150" wide
- 11 pleats up to 165" wide
- 12 pleats up to 192" wide

List Price

Price Grid 8

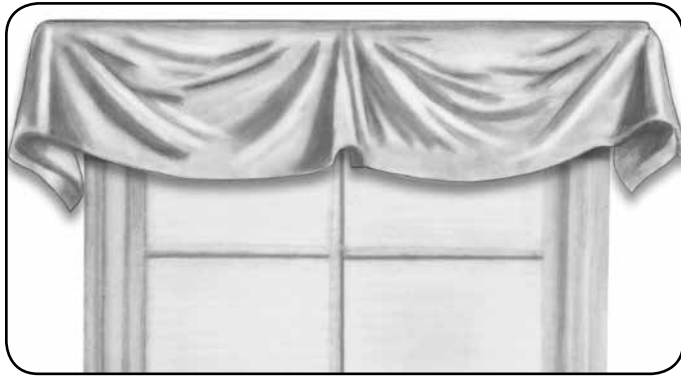
Width to	24"	36"	48"	60"	72"	84"	96"	108"	120"	132"	144"	156"	168"	180"	192"
	367	442	553	619	690	774	828	929	1078	1210	1330	1491	1585	1773	1835

Provide Face Width Measurement Only

# Color Lux® Designer Window Solutions Valances

## VALANCE STYLES

### Empire Swag Valance (CLB5)



Minimum width = 24"  
Maximum width = 192"

This free flowing style features handkerchief tails and soft flowing center swag.

#### Specifications:

- **Construction:** Board mounted
- **Mount:** Outside mount with returns
- **Widths:** Custom widths available
- **Long Point Kerchief Tails:** Available 14", 16" (standard), 18" and 20"
- **Short Point:** Predetermined by Long Point. Subtract 3"
- **Returns:** 3½" returns are standard (2½" and 6" available)
- **Side legs** are not available
- **Fabrics:** Available in all fabrics, patterns and color-ways
- **Lining:** The top board and the rest of the valance is self-lined
- Occurrence of cone (pictured in center) will be as follows:
  - 24" - 50" = 1 cone
  - 50" - 100" = 2 cones
  - 100" - 125" = 3 cones
  - 125" - 150" = 4 cones
  - 150" - 192" = 5 cones

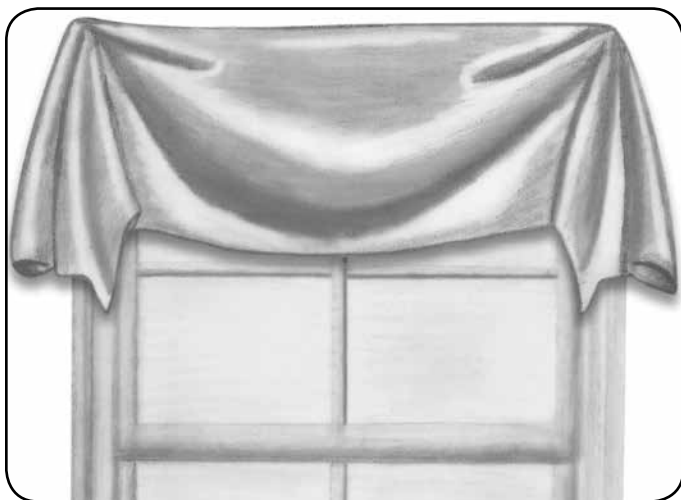
#### List Price

#### Price Grid 9

Width to	24"	36"	48"	60"	72"	84"	96"	108"	120"	132"	144"	156"	168"	180"	192"
	595	667	842	941	1031	1154	1276	1338	1522	1707	1823	2041	2121	2271	2421

Provide Face Width Measurement Only

### Federal Swag Valance (CLB6)



Minimum width = 24"  
Maximum width = 96"

This free flowing style features handkerchief tails and soft flowing center swag.

#### Specifications:

- **Construction:** Board mounted
- **Mount:** Outside mount with returns
- **Widths:** Custom widths available
- **Long Point Kerchief Tails:** Available 14", 16" (standard), 18" and 20"
- **Short Point:** Predetermined by Long Point. Subtract 3"
- **Returns:** 3½" returns are standard (2½" and 6" available)
- **Side legs** are not available
- **Fabrics:** Available in all fabrics, patterns and color-ways
- **Lining:** Blackout lining only, White or Ivory

#### List Price

#### Price Grid 10

Width to	24"	36"	48"	60"	72"	84"	96"
	595	667	842	941	1031	1154	1276

Provide Face Width Measurement Only

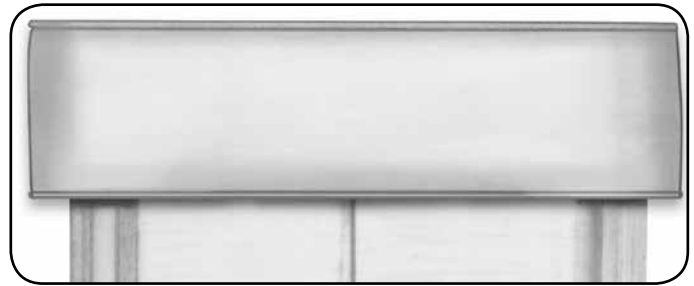
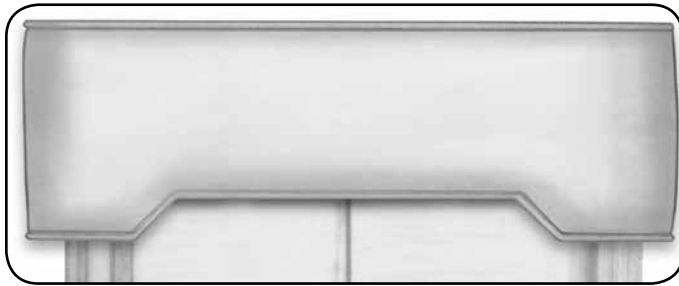
Color Lux® Designer Window Solutions Valances

VALANCE STYLES

COLOR LUX® WINDOW SOLUTIONS VALANCES

Contoured Classic Cornice (CLB7)

Straight Classic Cornice (CLB8)



Specifications:

- **Construction:** Board mounted
- **Mount:** Outside mount with returns. When measuring, add 3" to allow for return thickness.
- **Widths:** Custom widths available
- **Heights:** 14", 16" (standard), 18" and 20"; Contoured Cornice - Short point is 3" shorter than long point
- **Returns:** 3½" returns are standard (2½" and 6" available)
- **Fabrics:** Available in all fabrics, patterns and color-ways.
- **Seamless:** There are no fabric seams for the full width of the ordered cornice. See page 39 for example.
- **Welting:** ¼" welting at top and bottom (optional)
- **Minimum Width** = 24"
- **Maximum Width** = 192"

Straight Classic Cornice List Price

Price Grid 11

Width to	24"	36"	48"	60"	72"	84"	96"	108"	120"	132"	144"	156"	168"	180"	192"
	293	328	516	581	700	818	938	983	1189	1333	1443	1560	1697	1784	1951

Contoured Classic Cornice List Price

Price Grid 12

Width to	24"	36"	48"	60"	72"	84"	96"	108"	120"	132"	144"	156"	168"	180"	192"
	353	457	645	723	824	927	1064	1150	1319	1438	1571	1731	1826	1954	2080

Provide Face Width Measurement Only

Soft Wave Valance (CLB9)



This popular cornice drapes the fabric in even folds across the front

Specifications:

- **Construction:** Board mounted
- **Mount:** Outside mount with returns
- **Widths:** Custom widths available
- **Heights:** Short point approximately 12"  
Long point approximately 16"
- **Returns:** 3½" returns are standard (2½" and 6" available)
- **Fabrics:** Available in all fabrics, patterns and color-ways
- **Lining:** Blackout lining only, White or Ivory
- **Side legs** are standard with the Soft Wave Valance. Each leg measures ¾". Inside measurement is 1½" narrower between the two legs.

Minimum width = 24"  
Maximum width = 120"

List Price

Price Grid 13

Width to	24"	36"	48"	60"	72"	84"	96"	108"	120"
	595	667	842	941	1031	1154	1276	1338	1522

Provide Face Width Measurement Only

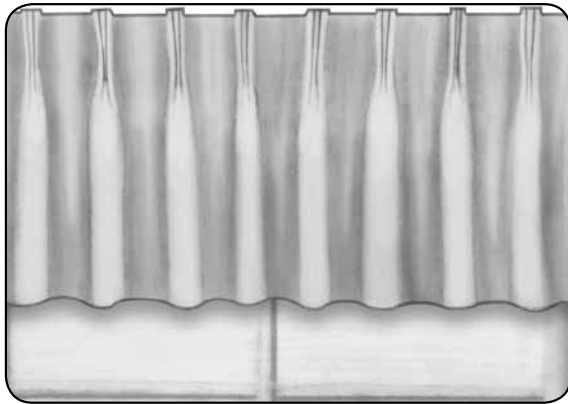


# Color Lux® Designer Window Solutions Valances

## VALANCE STYLES

COLOR LUX® WINDOW SOLUTIONS VALANCES

### Three Fingered Pleat Valance (CLR1)



Minimum width = 12"  
Maximum width = 192"

This 3 finger pleated valance has a classic look that works well with any décor.

**Specifications:**

- **Construction:** Rod mounted
- **Mount:** Outside mount with returns
- **Widths:** Custom widths available
- **Heights:** 14", 16" (standard), 18" and 20"
- **Returns:** 3½" returns are standard (2½" and 6" available)
- **Fullness:** 2½ x 1
- **Fabrics:** Available in all fabrics, patterns and color-ways
- **Lining:** Blackout lining only, White or Ivory
- Pin setting available with ½" setting or 1½" setting

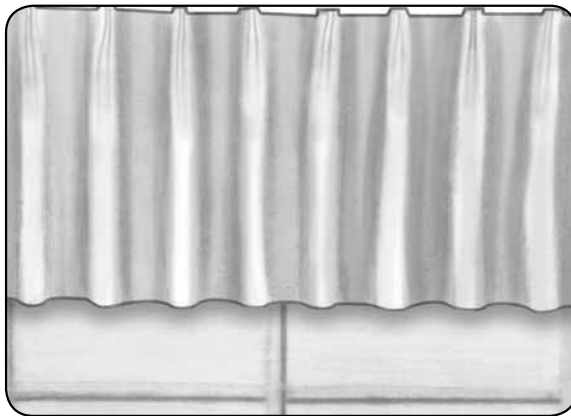
**Price Grid 14**

**List Price**

Width to	24"	36"	48"	60"	72"	84"	96"	108"	120"	132"	144"	156"	168"	180"	192"
	331	369	491	548	648	726	809	909	971	1089	1115	1214	1259	1321	1401

Provide Face Width Measurement Only

### Euro Pleat Valance (CLR2)



Minimum width = 12"  
Maximum width = 192"

This top tacked pinched pleated valance is a more contemporary version of the traditional 3 fingered style seen in CLR1.

**Specifications:**

- **Construction:** Rod mounted
- **Mount:** Outside mount with returns
- **Widths:** Custom widths available
- **Heights:** 14", 16" (standard), 18" and 20"
- **Returns:** 3½" returns are standard (2½" and 6" available)
- **Fullness:** 2½ x 1
- **Fabrics:** Available in all fabrics, patterns and color-ways
- **Lining:** Blackout lining only, White or Ivory
- Pin setting available with ½" setting or 1½" setting

**Price Grid 15**

**List Price**

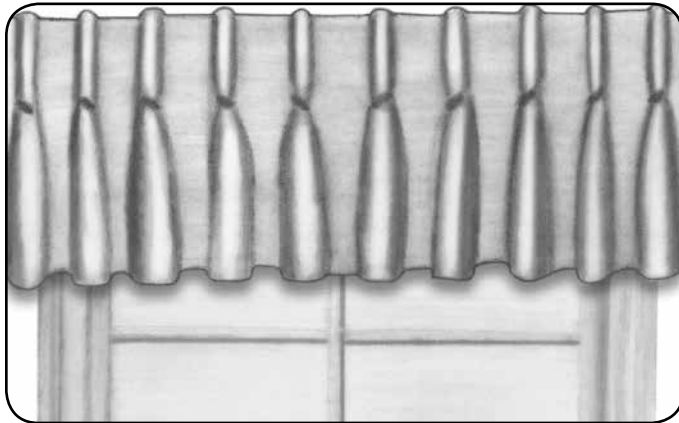
Width to	24"	36"	48"	60"	72"	84"	96"	108"	120"	132"	144"	156"	168"	180"	192"
	331	369	491	548	648	726	809	909	971	1089	1115	1214	1259	1321	1401

Provide Face Width Measurement Only

Color Lux® Designer Window Solutions Valances

VALANCE STYLES

Combo Pleat Valance (CLR3)



Minimum width = 24"  
Maximum width = 192"

This interesting upscale style combines some of the features of the 3 fingered pleated valance with those of the "euro" or top pinched style.

Specifications:

- **Construction:** Rod mounted
- **Mount:** Outside mount with returns
- **Widths:** Custom widths available
- **Heights:** 14", 16" (standard), 18" and 20"
- **Returns:** 3½" returns are standard (2½" and 6" available)
- **Fullness:** 2½ x 1
- **Fabrics:** Available in all fabrics, patterns and color-ways
- **Lining:** Blackout lining only, White or Ivory
- Pin setting available with ½" setting or 1½" setting

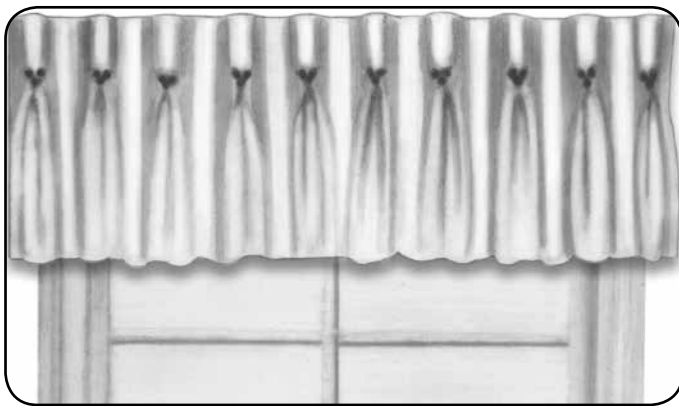
List Price

Price Grid 16

Width to	24"	36"	48"	60"	72"	84"	96"	108"	120"	132"	144"	156"	168"	180"	192"
	331	369	491	548	648	726	809	909	971	1089	1115	1214	1259	1321	1401

Provide Face Width Measurement Only

Champagne Pleat Valance (CLR4)



Minimum width = 24"  
Maximum width = 192"

This elegant style valance has the classic lines of a champagne flute. Tailored and graceful, this style has a clean sophisticated look.

Specifications:

- **Construction:** Rod mounted
- **Mount:** Outside mount with returns
- **Widths:** Custom widths available
- **Heights:** 14", 16" (standard), 18" and 20"
- **Returns:** 3½" returns are standard (2½" and 6" available)
- **Fullness:** 2½ x 1
- **Fabrics:** Available in all fabrics, patterns and color-ways
- **Lining:** Blackout lining only, White or Ivory
- Pin setting available with ½" setting or 1½" setting

List Price

Price Grid 17

Width to	24"	36"	48"	60"	72"	84"	96"	108"	120"	132"	144"	156"	168"	180"	192"
	331	369	491	548	648	726	809	909	971	1089	1115	1214	1259	1321	1401

Provide Face Width Measurement Only

# Color Lux® Designer Window Solutions Valances

## GENERAL INFORMATION

For All Valances and Cornices: Ordered Width is face width and does not include returns

### Measuring and Mounting Notes for Classic Cornice, Contoured Cornice and Soft Wave Cornice:

- Outside Mount Only
- Cornices are constructed with fabric wrapped wood legs for returns. Add a minimum of 3" to the width to allow for their thickness.
- Cornices are installed using "L" brackets provided.
- Cornices cannot be hinged.
- The inside measurement of a cornice is 1 3/4" less than the ordered width

### Measuring and Mounting Notes for All Other Board Mounted Valances:

- All Board Mounted Valances are tacked to 3/4" wood boards.
- All board mounted valances are hinged after 96" wide.
- Boards are wrapped with white drapery lining (can be wrapped in matching fabric; call customer service.)
- "L" brackets are included with order; 2 are standard and additional brackets are added every 24".

### Side Legs

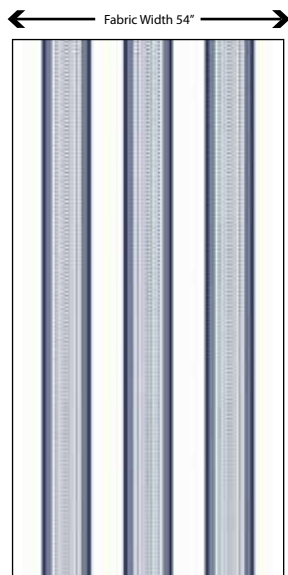
- Side legs are wood returns designed for valances that may flair at the sides. Side legs are available on the Soft Wave and Soft Fold Valances. Each leg is 3/4" thick, so the inside measurement is 1 1/2" narrower than the outside measurement.
- If treatment has side legs, recommend adding 3" minimum to width to account for thickness of sidelegs.

### Return Board Sizes

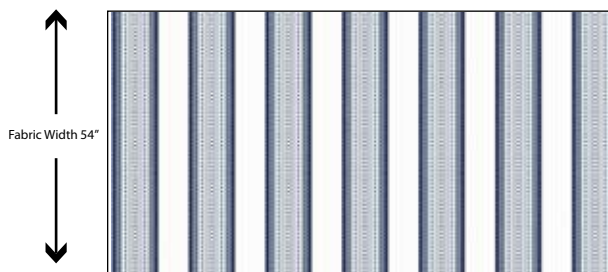
- A 3 1/2" board/return size is standard.
- 2 1/2" and 6" board/returns are also available.

### Seamless Valances and Cornices

All patterns for all valances and cornices will be run in the direction as sampled.



Patterns can be rotated on the fabric as shown. The direction of the pattern remains the same, so cornices can be seamless up to their full ordered width.



# Color Lux® Designer Window Solutions Valances

## FABRIC CORNICE

The Color Lux Fabric Cornice is a new light weight cornice that is a perfect option to accessorize hard treatments or draperies. This beautiful cornice is currently available on Linen, Sateen Matte and Sateen Luster fabrics in all Color Lux Solids and Designer patterns.

### The Color Lux Fabric Cornice features:

- Available as outside mount only
- The soft upholstered look of a traditional cornice
- Recessed and removable dust cover standard with every shade
- Available up to 216" wide with keystone
- Varying heights and return sizes for any application
- No visible staples
- Light weight design makes installation easy
- Brackets provide easy installation without the need to drill through the cornice
- Visit [ColorLuxWindowSolutions.com](http://ColorLuxWindowSolutions.com) to view ways to harmonize the Color Lux Fabric Cornice with draperies, roller, cellular and soft roman shades.



Available with various height and return size options

COLOR LUX® WINDOW SOLUTIONS VALANCES

### List Price

### Price Grid 18

Width to	24"	36"	48"	60"	72"	84"	96"	108"	120"	132"	144"	156"	168"	180"	192"	216"
	217	249	354	407	426	489	559	614	675	743	757	833	916	1007	1109	1219

### Specifications

**Cornice Width with Keystone:** Maximum cornice width is 216". Keystone is required for widths over 88" with 3" returns, and for widths 80" or larger with 7" returns.

A dustcover is standard on all Color Lux Cornices with return sizes 3" and over. All dust covers are white. Dust covers are installed separately and sit recessed by 1/2" on top of the cornice.

### Cornice Heights:

- 6"
- 8"
- 10"
- 12"
- 14"
- 16"

Return Sizes, Mounting Information and Keystone Requirements						
Return Size	Mounting Depth Required	Inside Valance Depth Clearance	Dust Cover	No Keystone is Required	1 Keystone Required	2 Keystones Required
3"	1/2" surface height	2 3/16"	Available	88" face width	> 88" - 182"	> 182" - 216"
4"	1/2" surface height	3 3/16"	Available	86" face width	> 86" - 180"	> 180" - 216"
5"	1/2" surface height	4 3/16"	Available	84" face width	> 84" - 178"	> 178" - 216"
6"	1/2" surface height	5 3/16"	Available	82" face width	> 82" - 176"	> 176" - 216"
7"	1/2" surface height	6 3/16"	Available	80" face width	> 80" - 174"	> 174" - 216"

# Color Lux® Designer Window Solutions Valances

## FABRIC CORNICE

COLOR LUX® WINDOW SOLUTIONS VALANCES



Keystone for widths over at least 84"

### Measuring Guide for Cornice

- Measure the width of the window you wish to cover. Be sure to add extra space if you have window trim or extra wall space you'd like to cover.
- Next, determine the length of your desired returns. Use the chart on page 40 for the mounting depth required and inside valance depth clearance provided for each return size.

### Outside Mount

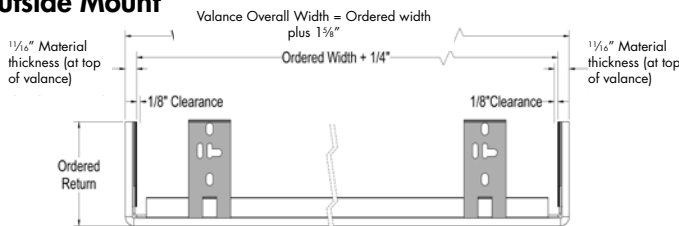


Figure A



Recessed Dustcover is included with all return sizes

### Pattern Alignment and Centering

- Please note that pattern centering cannot be guaranteed on some patterns.
- Keystone are not guaranteed to line up with cornice pattern.

### Valance Returns

- Five return size options are available when ordering a Color Lux Cornice as a stand alone product.

**Return Sizes:** To determine a return length, add the component dimensions (mounting brackets, etc.) up to the wall. Subtract the measurements from any protrusions (molding, etc.), then choose from one of the pre-determined return sizes (from the chart on page 40 that best fits your application.

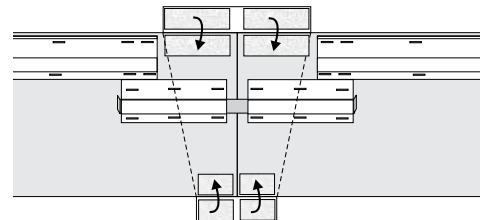
### Clearances

#### Outside Mount Bracket

- 3" Return provides an inside valance clearance of 2 3/16".
- 4" Return provides an inside valance clearance of 3 3/16".
- 5" Return provides an inside valance clearance of 4 3/16".
- 6" Return provides an inside valance clearance of 5 3/16".
- 7" Return provides an inside valance clearance of 6 3/16".

### Keystone Specification

- All keystones will automatically be wrapped with matching Color Lux Drapery Fabric.
- Available in Linen and Sateen fabrics
- Keystones will be provided separately and installed on site.
- Ordering two optional keystones is currently not available. Two keystones may be required for some wider width valances.
- Valance panels are divided in half when the Keystone option is ordered. Custom locations for keystone placement is not available.
- Optional Keystone is not available.



Rear view of the Color Lux Cornice Keystone. Not visible to room side.

# COLOR LUX® DESIGNER WINDOW SOLUTIONS DRAPERY HARDWARE



COLOR LUX® WINDOW SOLUTIONS HARDWARE

**COLOR LUX**®  
*Designer Window Solutions*

DRAPERY HARDWARE

1 1/8" Hardware Color Options for Rods and Decorative Traverse Rods

The Color Lux Designer Window Solutions Program features a wide array of Drapery Rod Finishes and Finials that are sure to work with any decor style. The 1 1/8" collection is available with metal rods, metal finials and grommets.

Diameter	Finishes for Drapery Rod, Decorative Traverse Rods and Ripplefold Tracks
1 1/8"	Chrome (Rod Only), Black, Black Nickel, Oil Rubbed Bronze, Old Gold, Pewter, Burnt Gold, Matte Gold



Chrome  
(Rod Only)



Oil Rubbed  
Bronze



Black Nickel



Pewter



Black



Burnt Gold



Old Gold



Matte Gold

COLOR LUX® WINDOW SOLUTIONS HARDWARE

# Color Lux® Designer Window Solutions

## DRAPERY HARDWARE

### 1 1/8" Finial Style Options

#### Crackled Ball \$66 each

Black Nickel



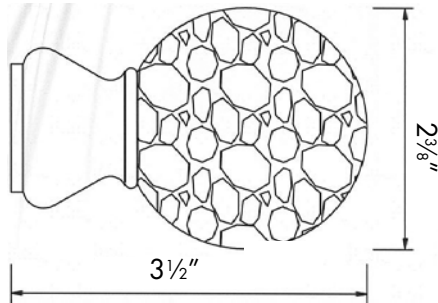
Oil Rubbed Bronze



Chrome



Pewter



Black



Old Gold



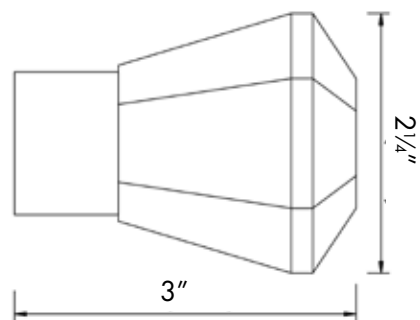
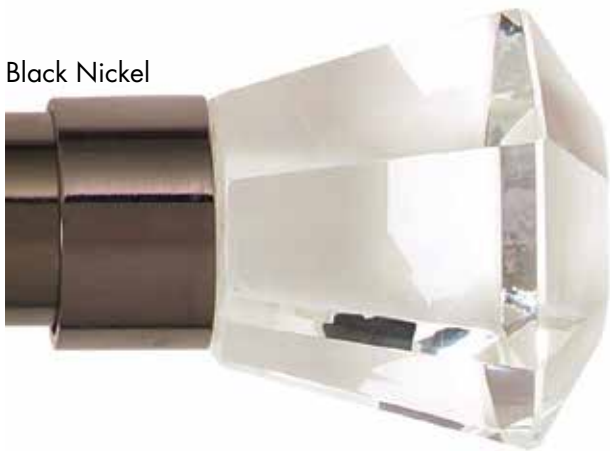
Matte Gold



COLOR LUX® WINDOW SOLUTIONS HARDWARE

#### Ice Sculpture \$116 each

Black Nickel



Chrome



Old Gold



Matte Gold





# Color Lux® Designer Window Solutions

## DRAPERY HARDWARE

### 1 1/8" Finial Style Options

Dome \$69 each

Chrome



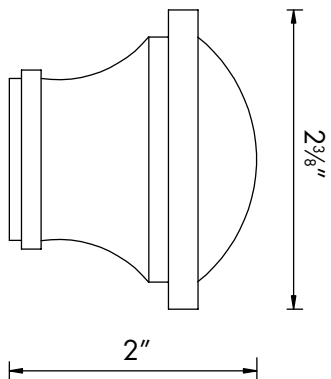
Oil Rubbed Bronze



Pewter



Burnt Gold



Black Nickel



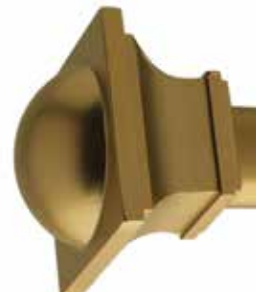
Black



Old Gold



Matte Gold



COLOR LUX® WINDOW SOLUTIONS HARDWARE

# Color Lux® Designer Window Solutions

## DRAPERY HARDWARE

### 1 1/8" Finial Style Options

Crystal Diamond \$144 each

Chrome



Pewter



Old Gold



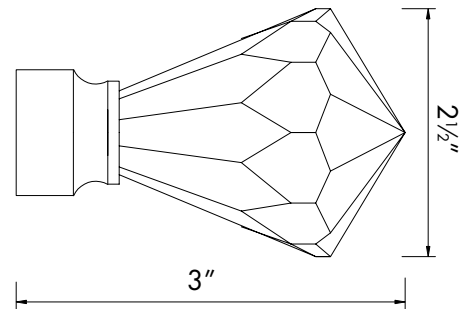
Matte Gold



Black Nickel



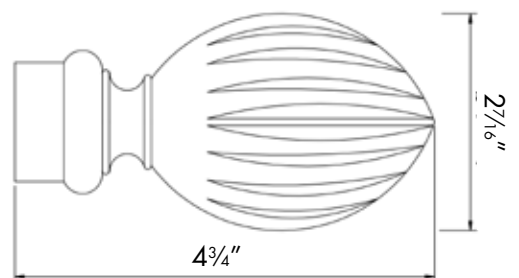
Black



COLOR LUX® WINDOW SOLUTIONS HARDWARE

### Fossil \$92 each

Black



# Color Lux® Designer Window Solutions

## DRAPERY HARDWARE

### 1 1/8" Finial Style Options

**Crown \$48 each**

Oil Rubbed  
Bronze



Black Nickel



Chrome



Pewter



Black



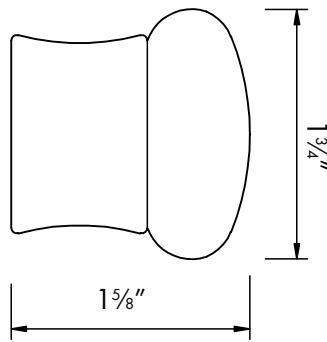
Burnt Gold



Old Gold



Matte Gold



COLOR LUX® WINDOW SOLUTIONS HARDWARE

**Oasis \$64 each**

Black Nickel



Chrome



Black



Pewter



Burnt Gold



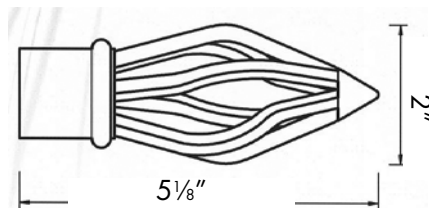
Oil Rubbed  
Bronze



Old Gold



Matte Gold



# Color Lux® Designer Window Solutions

## DRAPERY HARDWARE

### 1 1/8" Finial Style Options

Urn: \$51 each

Old Gold



Black Nickel



Pewter



Oil Rubbed Bronze



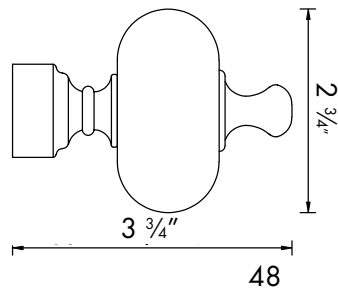
Black



Burnt Gold



Matte Gold



Urn Ice: \$59 each

Black Nickel



Chrome



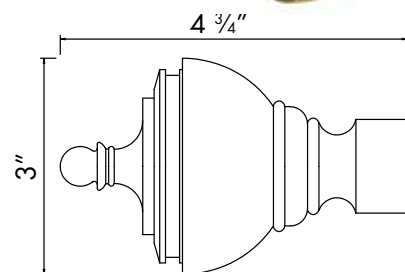
Old Gold



Pewter



Matte Gold



# Color Lux® Designer Window Solutions

## DRAPERY HARDWARE

### 1 1/8" Finial Style Options

**Ball \$52 each**

Burnt Gold



Black Nickel



Old Gold



Matte Gold



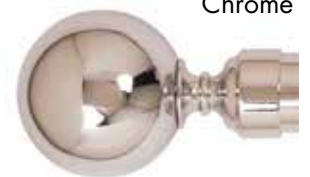
Pewter



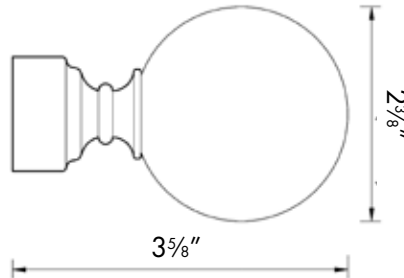
Black



Chrome



Oil Rubbed Bronze



**Architecture \$92 each**

Burnt Gold



Old Gold



Matte Gold



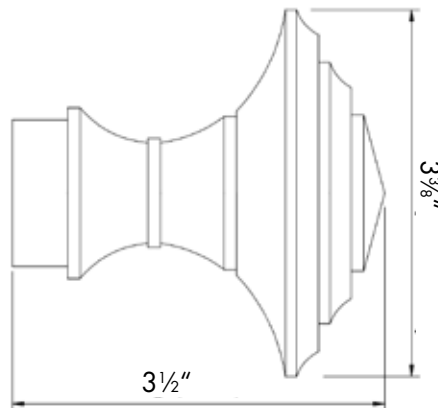
Oil Rubbed Bronze



Black



Pewter



COLOR LUX® WINDOW SOLUTIONS HARDWARE

# Color Lux® Designer Window Solutions

## DRAPERY HARDWARE

### 1 1/8" Finial Style Options

End Cap \$38 per pair

Black Nickel



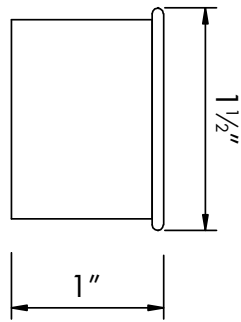
Oil Rubbed Bronze



Pewter



Burnt Gold



Chrome



Old Gold



Black



Matte Gold



COLOR LUX® WINDOW SOLUTIONS HARDWARE

### Crystal Square \$144 each

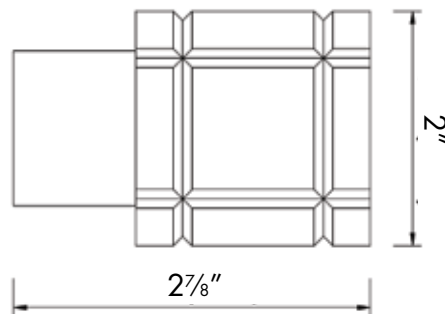
Black



Chrome



Pewter



Black Nickel



Old Gold



Matte Gold



# Color Lux® Designer Window Solutions

## DRAPERY HARDWARE

### 1 1/8" Finial Style Options

#### Sphere \$48 each

Oil Rubbed Bronze



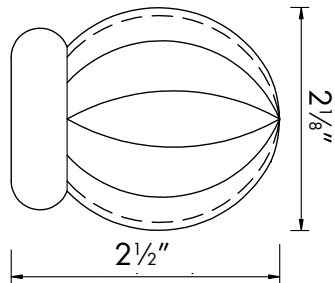
Chrome



Black Nickel



Black



Pewter



Old Gold



Burnt Gold



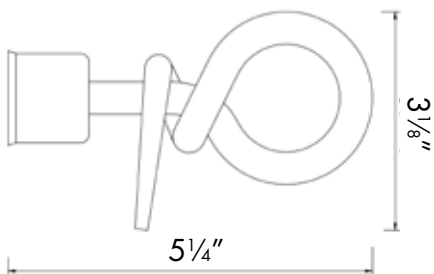
Matte Gold



COLOR LUX® WINDOW SOLUTIONS HARDWARE

#### Knot \$74 each

Black



Burnt Gold



Pewter



Old Gold



# Color Lux® Designer Window Solutions

## DRAPERY HARDWARE

### 1 1/8" Finial Style Options

Crystal Ball \$144 each

Chrome



Pewter



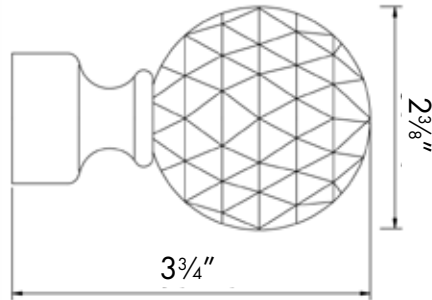
Black



Black Nickel



Matte Gold



Old Gold

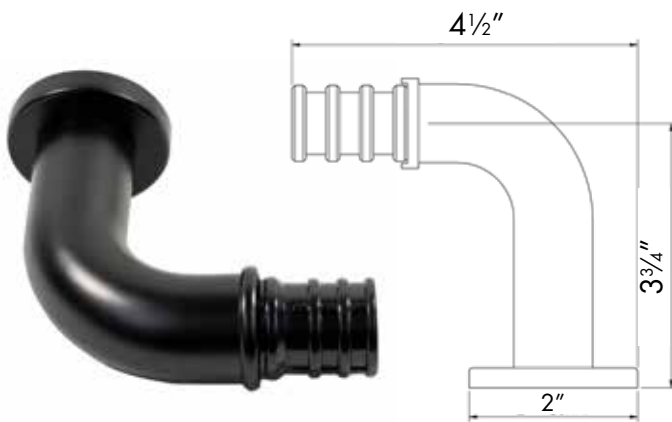


COLOR LUX® WINDOW SOLUTIONS HARDWARE

### French Return for 1 1/8" Rod, 1 1/8" Ripplefold Track, and 1 1/8" Decorative Traversing System

Available in Blackout, Matte Gold, Oil Rubbed Bronze and Pewter

French Return \$92 each



Assembled French Return



# Color Lux® Designer Window Solutions

## DRAPERY HARDWARE

### 1 1/8" Finial Style Options

Crystal Architecture \$144 each

COLOR LUX® WINDOW SOLUTIONS HARDWARE

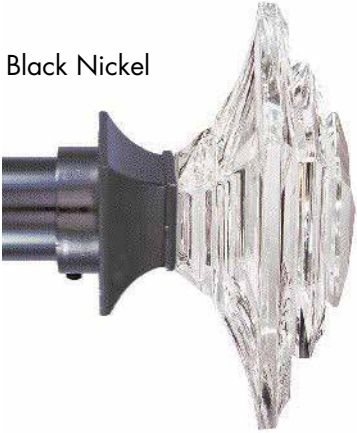
Oil Rubbed Bronze



Pewter



Black Nickel



Chrome



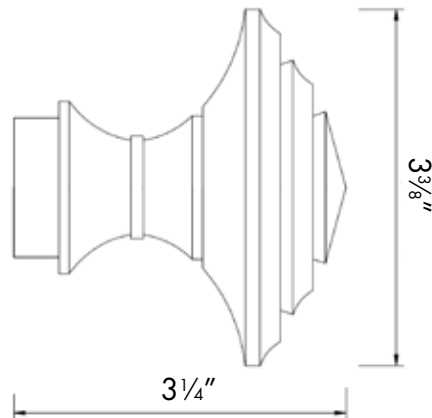
Old Gold



Black



Matte Gold



# Color Lux® Designer Window Solutions

## DRAPERY HARDWARE

### 1 1/8" Finial Style Options

**Crystal Urn: \$157 each**

Black



Old Gold



Chrome



Matte Gold



Oil Rubbed Bronze



Pewter



**Crystal Egg: \$157 each**

Black Nickel



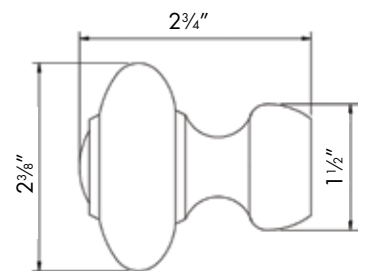
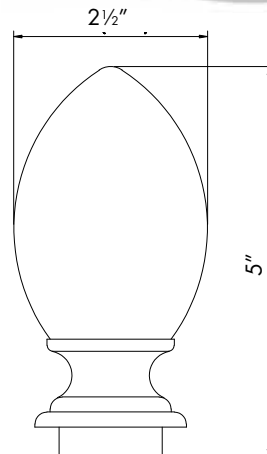
Matte Gold



Oil Rubbed Bronze



Pewter



COLOR LUX® WINDOW SOLUTIONS HARDWARE

**Color Lux® Designer Window Solutions**

**DRAPERY HARDWARE**

**1 1/8" Drapery Rod Mounting Hardware**

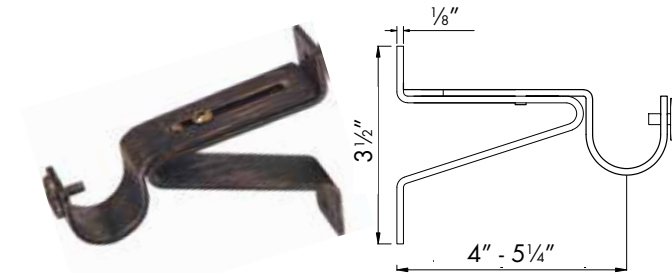
**1 1/8" Standard Mounting Bracket**

All Mounting hardware is available in Chrome, Oil Rubbed Bronze, Black Nickel, Pewter, Black, Old Gold, Matte Gold, and Burnt Gold. See page 43 for all hardware colors.



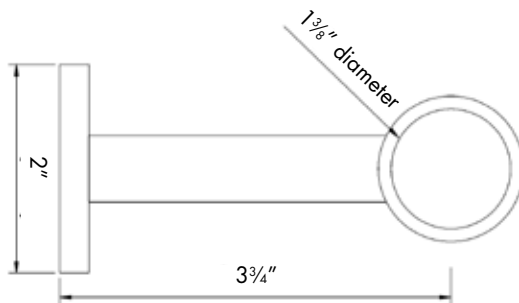
Three brackets are recommended for widths over 70"

**1 1/8" Heavy Duty Mounting Bracket**



Three brackets are recommended for widths over 70"

**1 1/8" Fully Enclosed Mounting Bracket**

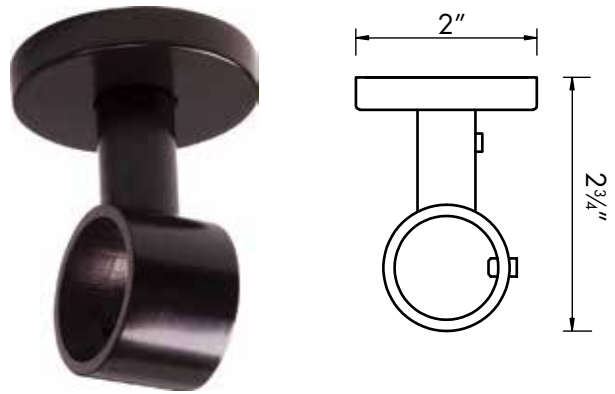


Fully enclosed mounting brackets can be used in conjunction with standard mounting brackets when they are at full projection. Recommended with split draw draperies.

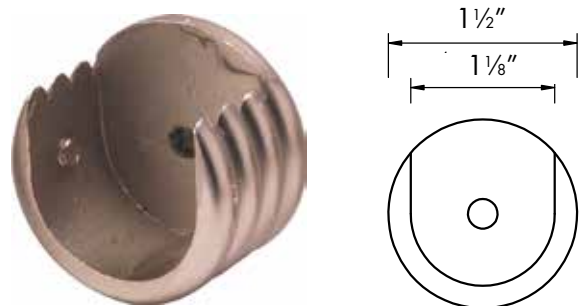
**Square Grommet**  
Available in all finishes



**1 1/8" Ceiling Mount Bracket**



**1 1/8" Inside Mounting Bracket**



Inside Mount brackets are universal left and right. Take a 3/8" deduction to rod width when ordering inside mount brackets.

**Round Grommet**

Actual Size Shown



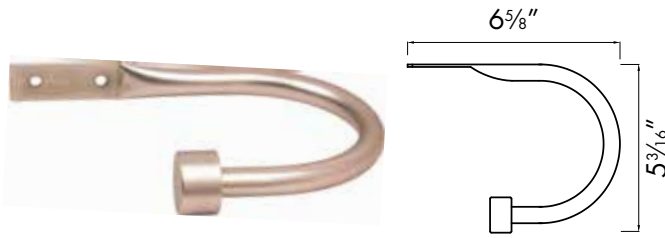
COLOR LUX® WINDOW SOLUTIONS HARDWARE

**Color Lux® Designer Window Solutions**

**DRAPERY HARDWARE**

**1 1/8" Drapery Rod Accessories**

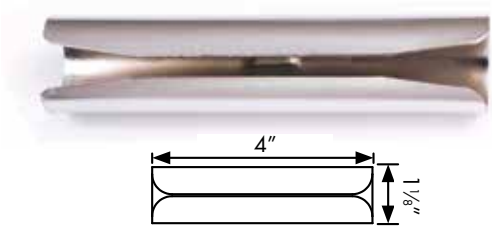
**U-Hook for Holdback**



Add a 1 1/8" finial of your choice to any U-hook for a decorative touch

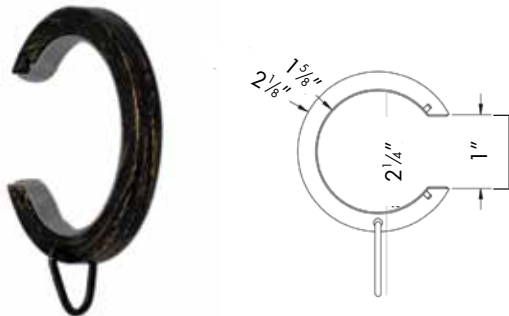
**Splice for 1 1/8" Rod**

All Rods are spliced in half over 96" wide.



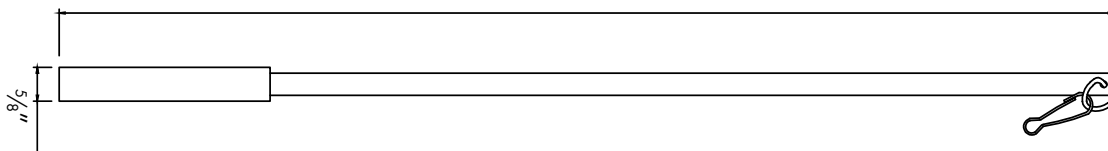
**Bypass Ring**

Available in all finishes  
Sold in packs of 8



Bypass rings are meant for rods requiring a center support bracket.

**Baton**  
39 1/2"



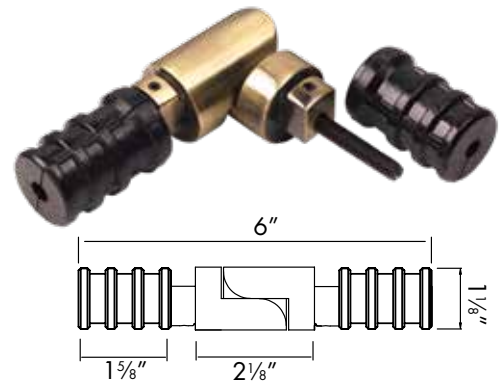
White fiberglass and clear acrylic batons are also available in 36" and 48" lengths. See page 57 for pricing.

All Mounting hardware is available in Chrome, Oil Rubbed Bronze, Black Nickel, Pewter, Black, Old Gold, Matte Gold, and Burnt Gold. See page 43 for all hardware colors.

**1 1/8" Rings with Eyelets and Clips**  
Sold in Packs of 8



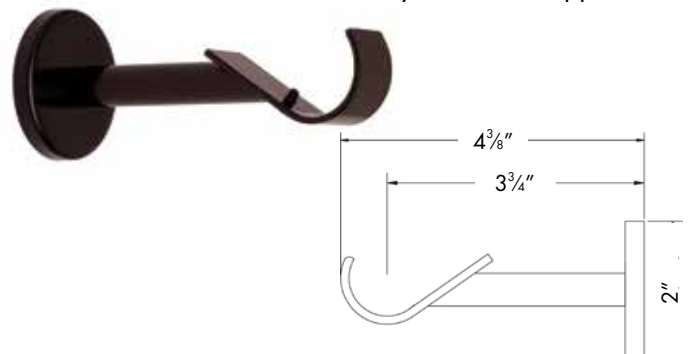
**Elbow for 1 1/8" Rod**



Elbow range is from 45 to 180 degrees

**Bypass Bracket**

Available in all finishes and only for center support



# Color Lux® Designer Window Solutions

## DRAPERY HARDWARE PRICING

### 1 1/8" Hardware Collection Pricing and Information

See page 80 for stackback chart and recommended rod widths. Add 3" to 12" on either side of your window for the panels to rest when open. Rod measurement does not include finials.

### Price Group 19

Widths Up To	48"	72"	96"	120"	192"
<b>1 1/8" Rod</b>	111	139	176	278	556

1 1/8" Drapery Rods are available in custom widths from 12" to 192".

All rods are available in Chrome, Oil Rubbed Bronze, Black Nickel, Pewter, Black, Burnt Gold, Matte Gold & Old Gold. All rods over 96" wide will be spliced in half automatically. A charge of \$9 will be applied.

### 1 1/8" Rod Finial Pricing

Architecture	Add \$92 each
Ball	Add \$52 each
Crackled Ball	Add \$66 each
Crown	Add \$48 each
Crystal Architecture	Add \$144 each
Crystal Ball	Add \$144 each
Crystal Diamond	Add \$144 each
Crystal Square	Add \$144 each
Dome	Add \$69 each
End Cap	Add \$38 per pair
Fossil	Add \$92 each
Ice Sculpture	Add \$116 each
Knot	Add \$74 each
Oasis	Add \$64 each
Sphere	Add \$48 each
Urn	Add \$51 each
Urn Ice	Add \$59 each
Crystal Urn	Add \$157 each
Crystal Egg	Add \$157 each
French Return	Add \$92 each

All 1 1/8" Rod Finials are priced per finial except for End Caps

When ordering finials, please indicate color, style, and quantity.

COLOR LUX® WINDOW SOLUTIONS HARDWARE

### 1 1/8" Bracket Pricing

Standard Brackets	Add \$35 per pair
Bypass Brackets	Add \$44 each
Heavy Duty Brackets	Add \$105 per pair
Fully Enclosed Mounting Brackets	Add \$42 each
Ceiling Brackets	Add \$43 each
Inside Mount Brackets	Add \$43 per pair

Heavy Duty Brackets are recommended for lengths over 94". Additional brackets are recommended for widths over 70". Side draw panels are not recommended when a center support bracket is required.

### 1 1/8" Accessory Pricing

U-Hook for Holdback	Add \$35 each
1 1/8" Rings with Eyelets	Add \$46 for pack of 8
Bypass Rings	Add \$75 for pack of 8
Elbow	Add \$77 each
39 1/2" Coordinated Baton	Add \$62 each
36" or 48" White Baton	Add \$22 each
36" or 48" Clear Baton	Add \$35 each

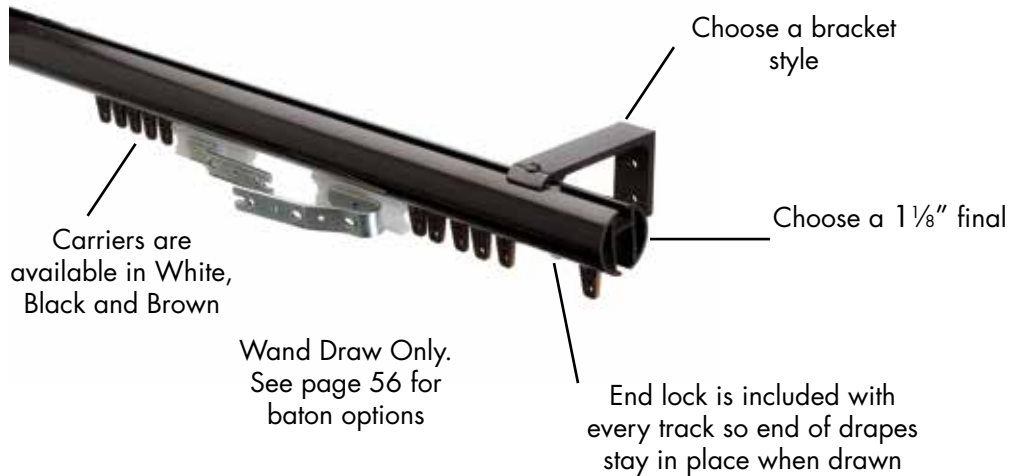
\*Splice is automatically added for rods over 96". \$9 surcharge applies

# Color Lux® Designer Window Solutions

## DRAPERY HARDWARE

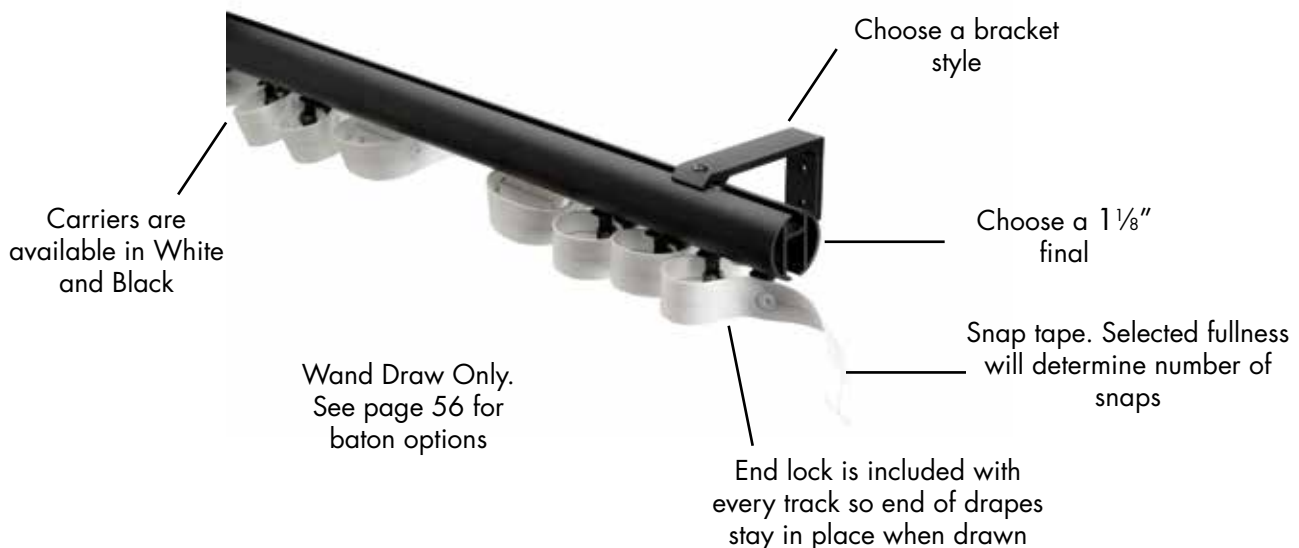
### Decorative Traverse Rods for Pleated Shades (Available in 1 1/8")

Decorative Traverse Rods are a beautiful complement to any Color Lux Drapery. Select any matching 1 1/8" or 1 1/2" finial to enhance the rod. Color options for 1/8" and 1 1/2" vary. See pages 44 to 54 for available options.



### Decorative Ripplefold Drapery Tracks

Ripplefold Tracks are available exclusively for ripplefold draperies. When ordering ripplefold draperies from ColorLux Window Solutions, we strongly recommend ordering a Comfortex Ripplefold track. See page 25, 28 - 29 for ripplefold drapery pricing and information



The snap spacing on the snap tape is always 4 1/4" along the tape. Spacing between carriers is based on fullness factor.

- 80% fullness has carrier spacing of 2 3/8"
- 100% fullness has carrier spacing of 2 1/8"
- 120% fullness has carrier spacing of 1 7/8"

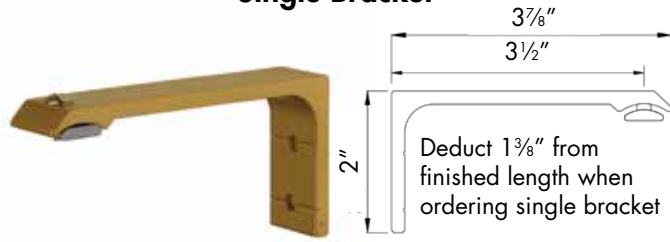
# Color Lux® Designer Window Solutions

## DRAPERY HARDWARE

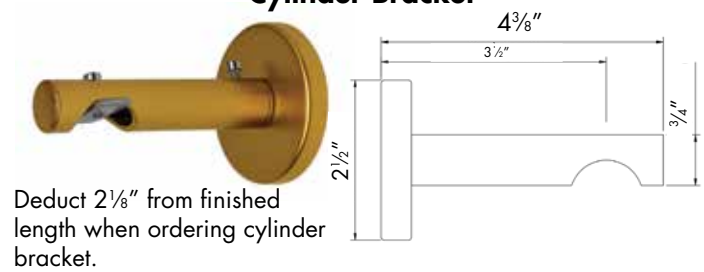
### Decorative Traverse Rod Mounting Hardware and Accessories

All hardware brackets are available in 1 1/8" hardware colors except for Chrome. Deductions are provided per bracket style, starting from the top of the bracket to the bottom of the track. See page 56 for baton options.

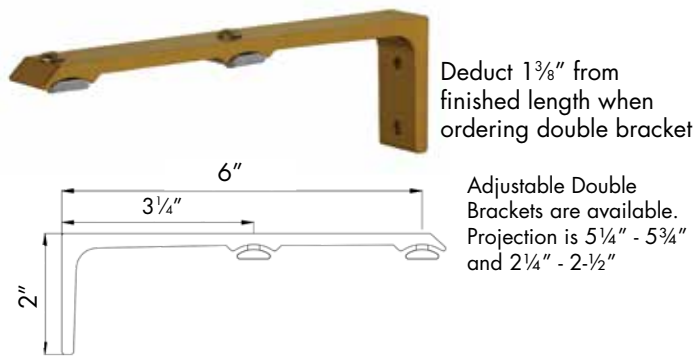
#### Single Bracket



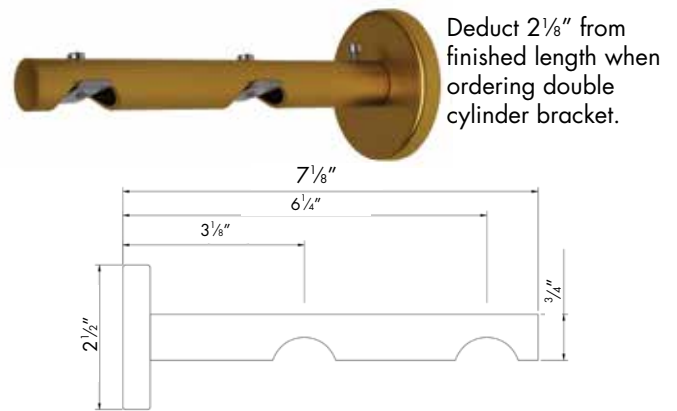
#### Cylinder Bracket



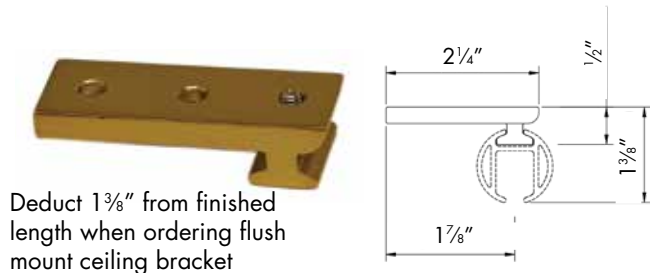
#### Double Bracket



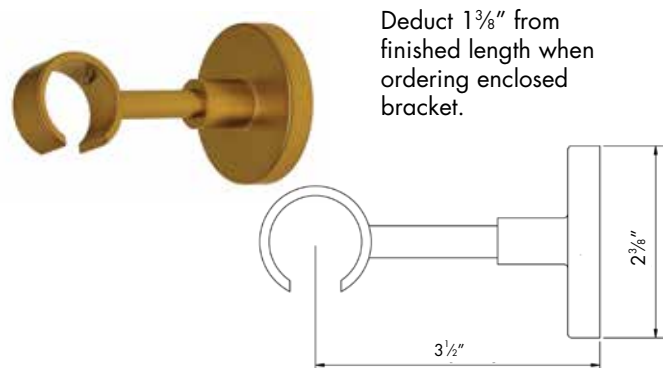
#### Double Cylinder Bracket



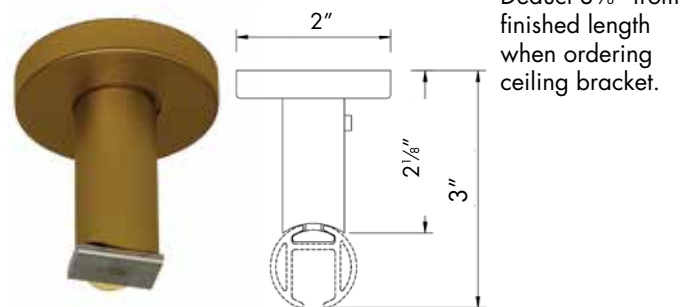
#### Flush Mount Ceiling Bracket



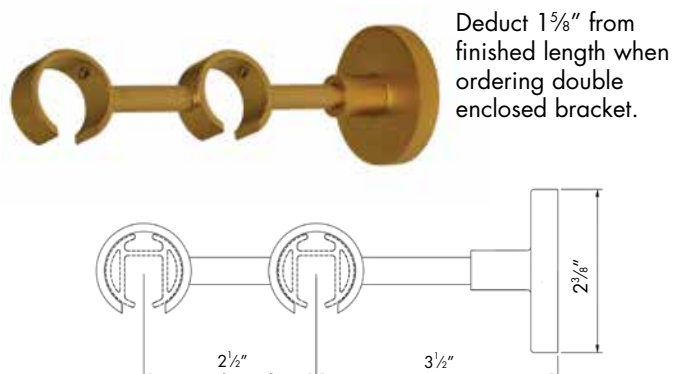
#### Enclosed Bracket



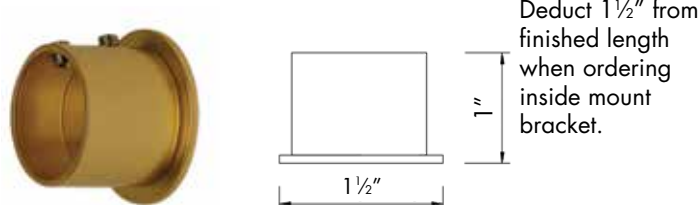
#### Ceiling Bracket



#### Double Enclosed Bracket



#### Inside Mount Bracket



COLOR LUX® WINDOW SOLUTIONS HARDWARE

# Color Lux® Designer Window Solutions

## DRAPERY HARDWARE PRICING

### 1 1/8" Decorative Traverse Rod and Ripplefold Track Pricing and Information

Decorative Traverse Rods are available in seven finishes (Chrome not available). See page 43 for rod colors. Pricing below is for both Decorative Traverse Rods and Ripplefold Tracks. Wand draw only.

Price Group 20

Widths Up To	44"	58"	80"	110"	132"	154"	164"	192"
Decorative Traverse Rod	350	461	636	875	1038	1224	1304	1566
Ripplefold Track								
Recommended # of Brackets	2	3	4	5	6	7	8	9

Decorative Traverse Rods are available in custom widths from 12" to 192". All rods over 96" wide will be spliced in half. A \$15 surcharge will be applied.

### Decorative Traverse Rod and Ripplefold Finial Pricing

Architecture	Add \$92 each
Ball	Add \$52 each
Crackled Ball	Add \$66 each
Crown	Add \$48 each
Crystal Architecture	Add \$144 each
Crystal Ball	Add \$144 each
Crystal Diamond	Add \$144 each
Crystal Square	Add \$144 each
Dome	Add \$69 each
End Cap	Add \$38 per pair
Fossil	Add \$92 each
Ice Sculpture	Add \$116 each
Knot	Add \$74 each
Oasis	Add \$64 each
Sphere	Add \$48 each
Urn	Add \$51 each
Urn Ice	Add \$59 each
Crystal Urn	Add \$157 each
Crystal Egg	Add \$157 each
French Return	Add \$92 each

All 1 1/8" Drapery Finials work with the decorative and ripplefold traverse rod hardware. All are priced per finial except for End Caps. When ordering finials, please indicate color, style, and quantity.

### Decorative Traverse Rod and Ripplefold Bracket Pricing

Single Bracket	Add \$23 each
Double Bracket	Add \$32 each
Flush Mount Ceiling Bracket	Add \$18 each
Ceiling Bracket	Add \$37 each
Inside Mount Bracket	Add \$58 each
Cylinder Bracket'	Add \$46 each
Double Cylinder Bracket	Add \$59 each
Enclosed Bracket	Add \$67 each
Double Enclosed Bracket	Add \$99 each

### Decorative Traverse Rod and Ripplefold Accessory Pricing

Elbow for Traverse Rods	Add \$73 each
39 1/2" Coordinated Baton	Add \$59 each
36" or 48" White Baton	Add \$22 each
36" or 48" Clear Baton	Add \$33 each

A splice is automatically added for rods over 96". An additional \$15 surcharge is applied.



# Color Lux® Designer Window Solutions

## DRAPERY HARDWARE

### 1½" Venus Hardware Color Options for Rods and Decorative Traverse Rods

The Color Lux Designer Window Solutions Program features a wide array of Drapery Rod Finishes and Finials that are sure to work with any decor style. The 1½" Venus collection is available with metal rods, metal finials and grommets.

Diameter	Finishes for Drapery Rod, Decorative Traverse Rods and Ripplefold Tracks
1½"	Oil Rubbed Bronze, Pewter, Black and Matte Gold



Oil Rubbed  
Bronze



Pewter



Black



Matte Gold

COLOR LUX® WINDOW SOLUTIONS HARDWARE

# Color Lux® Designer Window Solutions

## DRAPERY HARDWARE

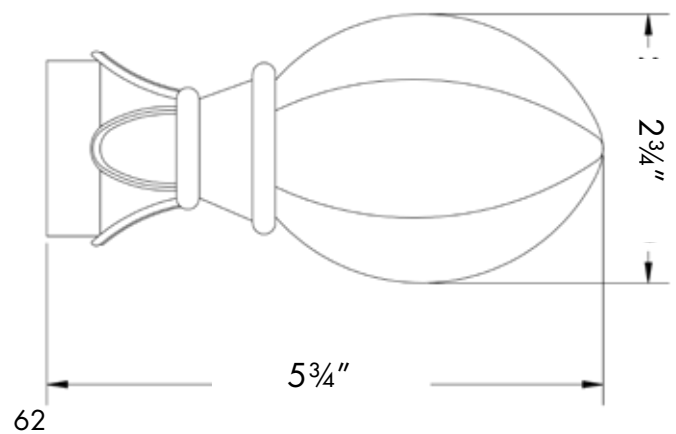
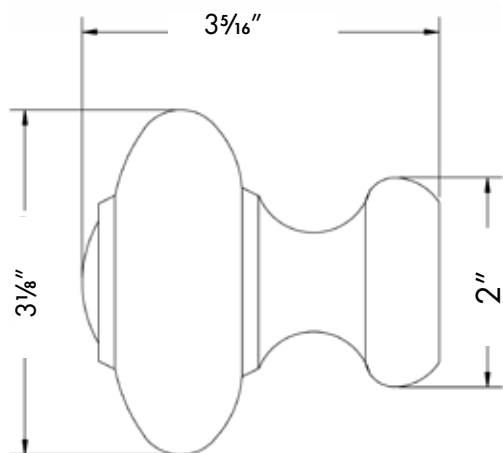
### 1½" Venus Finial Style Options

Venus Genuine Crystal Urn: \$252 each

Venus French: \$170 each



COLOR LUX® WINDOW SOLUTIONS HARDWARE



DRAPERY HARDWARE

1½" Venus Finial Style Options

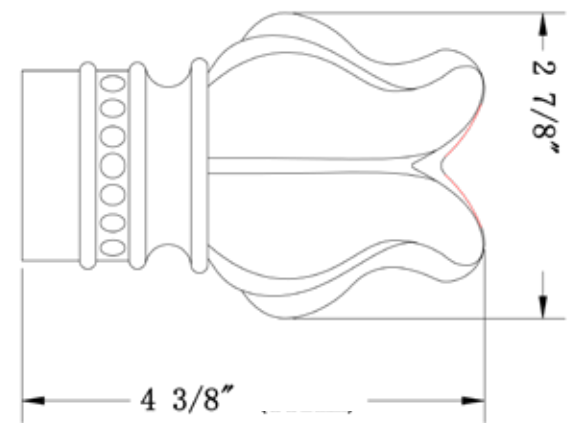
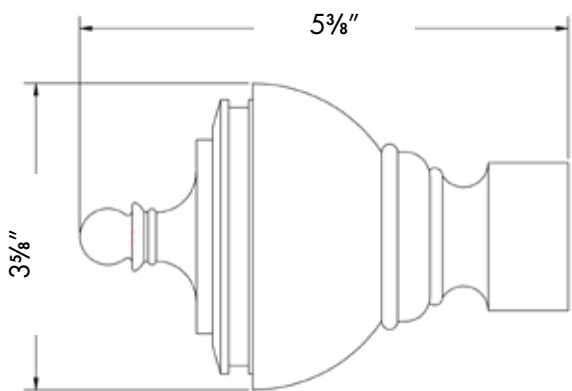
Venus Urn: \$171 each



Venus Tulip: \$170 each



COLOR LUX® WINDOW SOLUTIONS HARDWARE



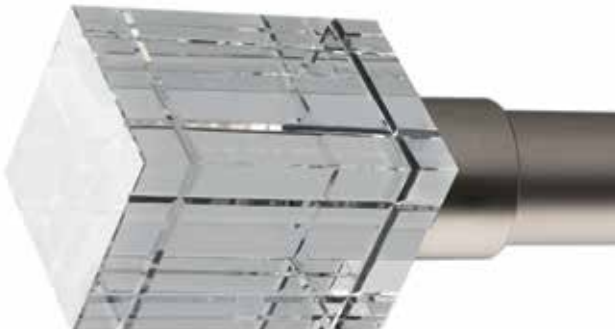
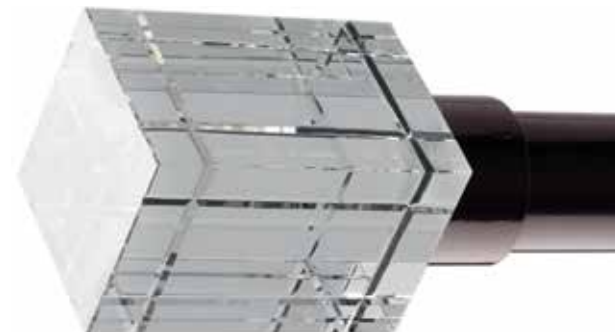
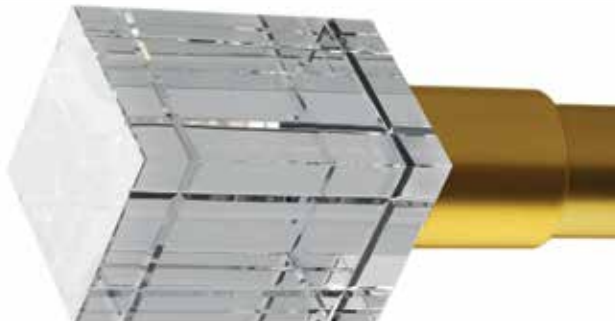
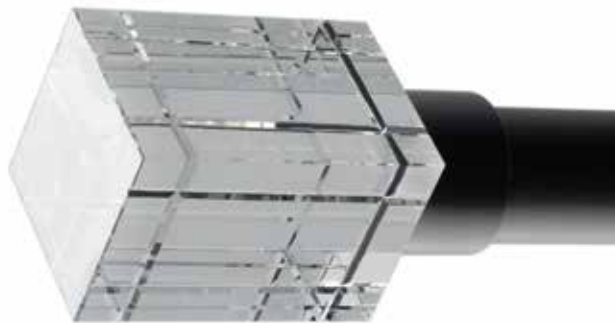
# Color Lux® Designer Window Solutions

## DRAPERY HARDWARE

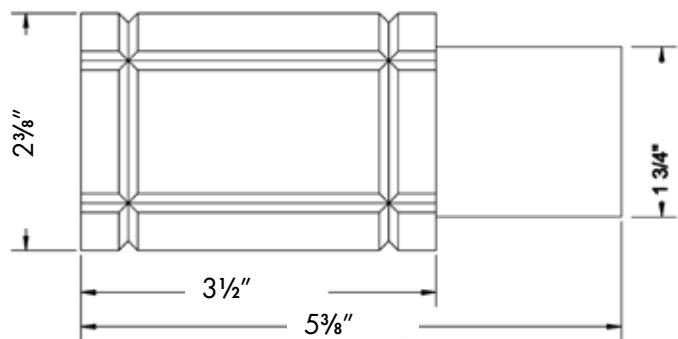
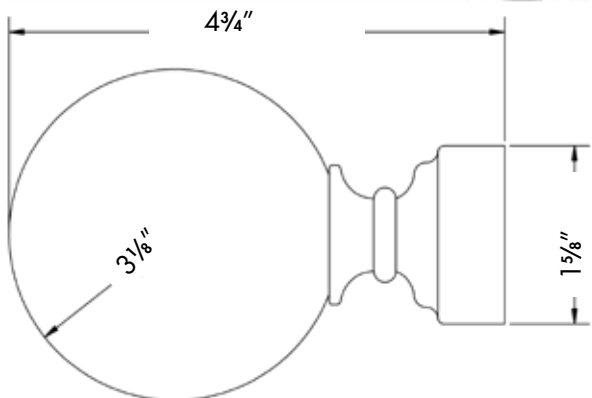
### 1½" Venus Finial Style Options

Venus Ball: \$139 each

Venus Crystal Rectangle: \$252 each



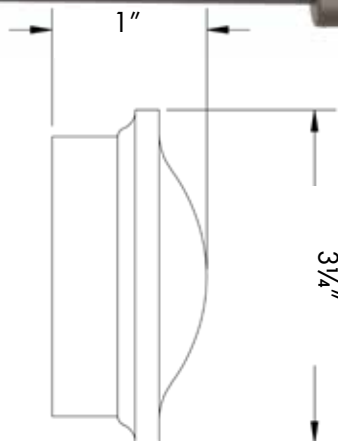
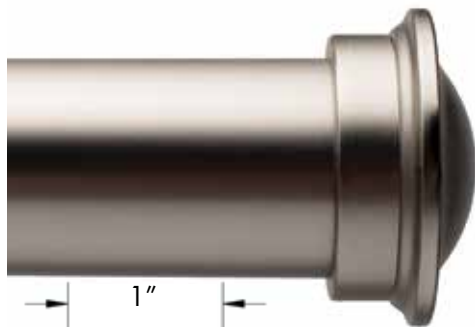
COLOR LUX® WINDOW SOLUTIONS HARDWARE



DRAPERY HARDWARE

1½" Venus Finial Style Options

Venus End Cap: \$109 a pair

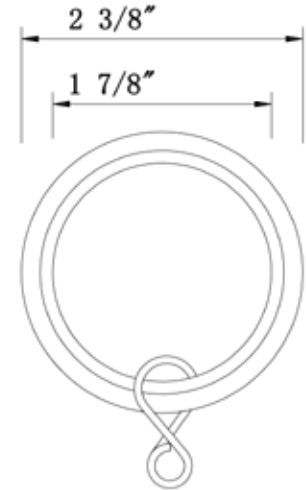


COLOR LUX® WINDOW SOLUTIONS HARDWARE

1½" Venus Ring Options

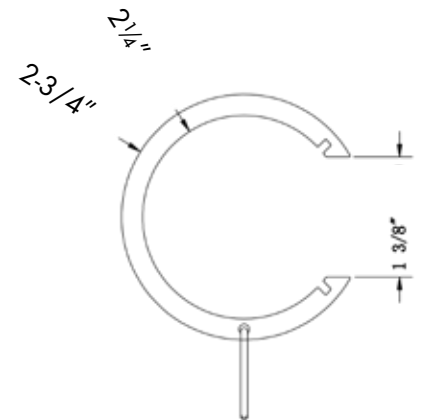
1½" Venus Easy Glide Ring

Available in all finishes  
Sold in packs of 8



1½" Venus Bypass Ring

Available in all finishes  
Sold in packs of 8



Bypass rings are meant for rods requiring a center support bracket.

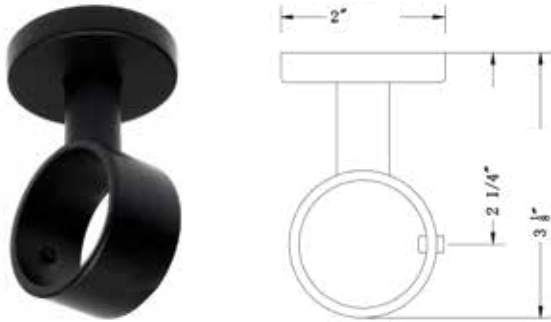
**Color Lux® Designer Window Solutions**

**DRAPERY HARDWARE**

**1½" Venus Drapery Rod Mounting Hardware**

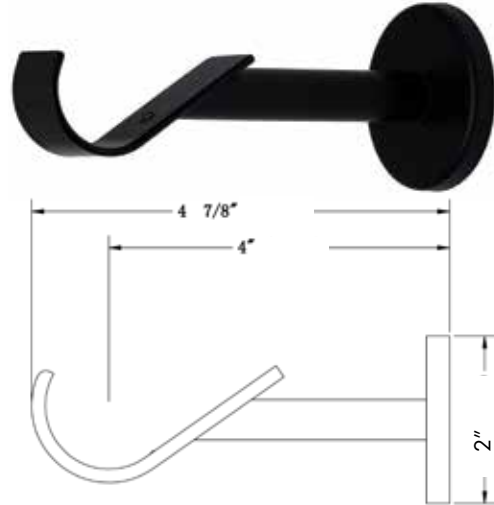
All Mounting hardware is available in Black, Matte Gold, Oil Rubbed Bronze and Pewter. See page 58 for all hardware colors.

**1½" Ceiling Mount Bracket**



**1½" Bypass Bracket**

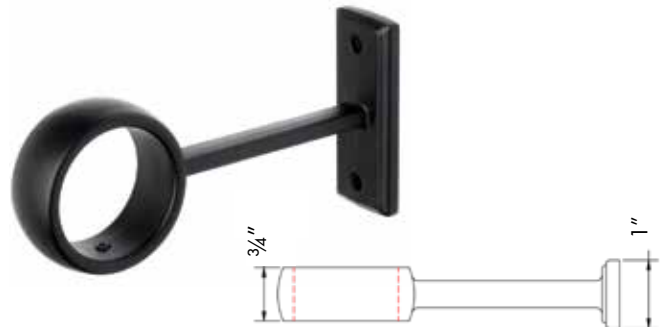
Available in all finishes and only for center support



**1½" Standard Mounting Bracket**



**1½" Fully Enclosed Mounting Bracket**



**1½" Inside Mounting Bracket**



**1½" Socket Set for Inside Mount**



COLOR LUX® WINDOW SOLUTIONS HARDWARE

DRAPERY HARDWARE

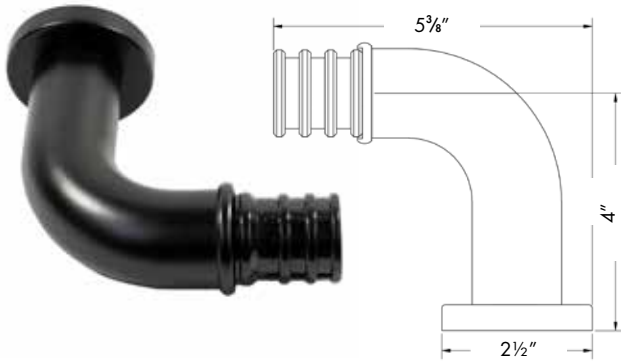
1½" Venus Drapery Rod Accessories

**Splice for 1½" Venus Rod**

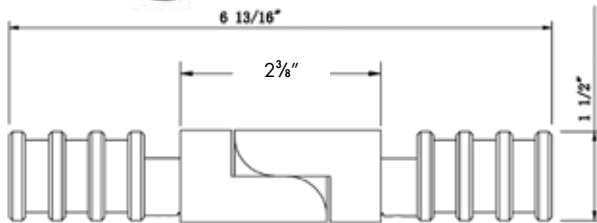
All Rods are spliced in half over 96" wide.



**French Return for 1½" Venus Rod**

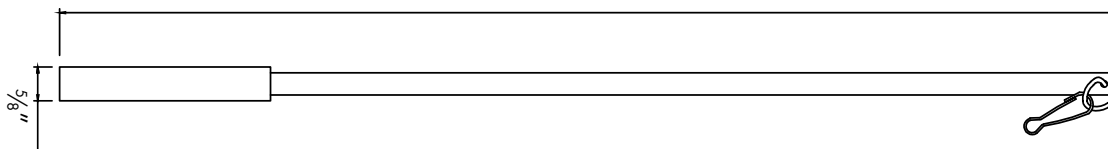


**Elbow for 1½" Venus Rod**



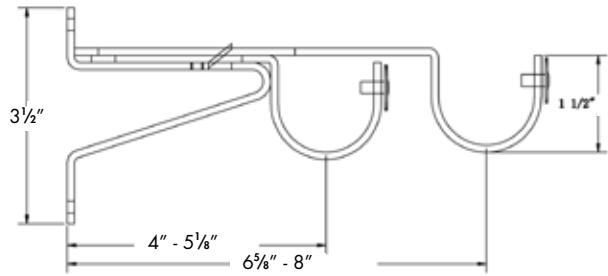
Elbow range is from 45 to 180 degrees

**Baton**  
39½"

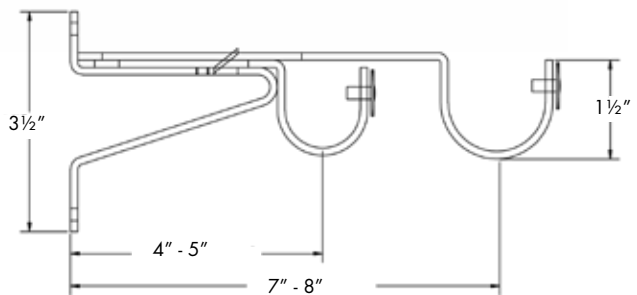


All Mounting hardware is available in Black, Matte Gold, Oil Rubbed Bronze and Pewter. See page 58 for all hardware colors.

**1½" Adjustable Double Bracket with 1½" back bracket**



**1½" Adjustable Double Bracket with 1 1/8" back bracket**



COLOR LUX® WINDOW SOLUTIONS HARDWARE



# Color Lux® Designer Window Solutions

## DRAPERY HARDWARE PRICING

### 1½" Venus Hardware Collection Pricing and Information

See page 80 for stackback chart and recommended rod widths. Add 3" to 12" on either side of your window for the panels to rest when open. Rod measurement does not include finials.

Price Group 21

Widths Up To	48"	72"	96"	120"	192"
1½" Rod	128	160	202	320	639

1½" Drapery Rods are available in custom widths from 12" to 192".

All rods are available in Chrome, Oil Rubbed Bronze, Black Nickel, Pewter, Black, Burnt Gold, Matte Gold & Old Gold. All rods over 96" wide will be spliced in half automatically. A charge of \$12 will be applied.

### 1½" Venus Finial Pricing

Venus Ball	Add \$139 each
Venus Tulip	Add \$170 each
Venus Crystal Rectangle	Add \$252 each
Venus French Return	Add \$191 each
Venus End Cap	Add \$109 per pair
Venus Urn	Add \$171 each
Venus Crystal Urn	Add \$252 each
Venus French Finial	Add \$170 each

All 1½" Rod Finials are priced per finial except for End Caps. When ordering finials, please indicate color, style, and quantity.

### 1½" Venus Bracket Pricing

Venus Standard Bracket	Add \$154 per pair
Venus Bypass Brackets	Add \$87 each
Venus Fully Enclosed Mounting Brackets	Add \$77 each
Venus Ceiling Brackets	Add \$87 each
Venus Double Bracket with 1-1/8" Back Bracket	Add \$102 each
Venus Double Bracket with 1½" Back Bracket	Add \$96 each
Venus Socket Set for Inside Mount	Add \$95 per pair
Venus Inside Mount Brackets	Add \$95 per pair

### 1½" Venus Accessory Pricing

U-Hook for Holdback	Add \$35 each
1½" Venus Rings with Eyelets	Add \$108 for pack of 8
Venus Bypass Rings	Add \$163 for pack of 8
Venus Elbow	Add \$130 each
39½" Coordinated Baton	Add \$62 each
36" or 48" White Baton	Add \$22 each
36" or 48" Clear Baton	Add \$35 each

\*Splice is automatically added for rods over 96". \$12 surcharge applies



**DRAPERY HARDWARE**

**1½" Venus Traversing Rod and Ripplefold Hardware Brackets**

**1½" Venus Ripplefold Track for Finials**

See page 58 for details



**1½" Venus Ripplefold Track with End Caps**

See page 58 for details



**1½" Venus Traversing Rod for Finials**

See page 58 for details

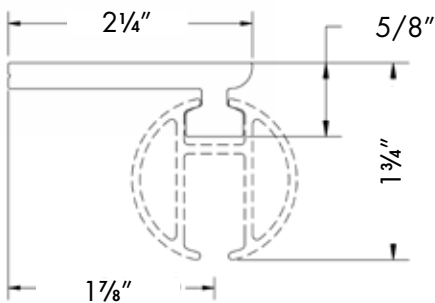


**1½" Venus Traversing Rod with End Caps**

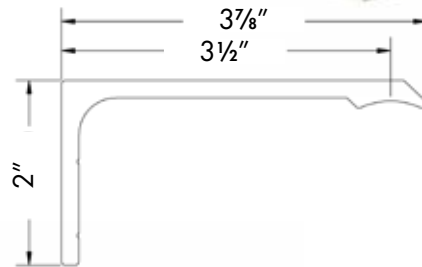
See page 58 for details



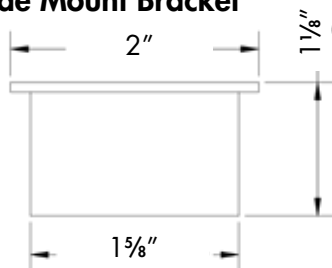
**Flush Mount Ceiling Bracket**



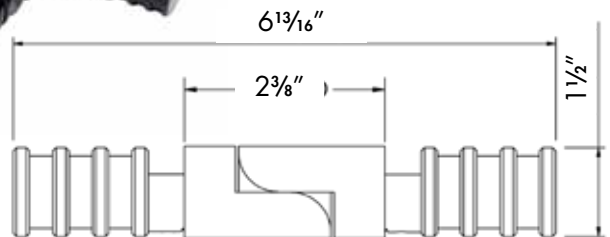
**Single Bracket**



**Inside Mount Bracket**



**1½" Elbow**



COLOR LUX® WINDOW SOLUTIONS HARDWARE

# Color Lux® Designer Window Solutions

## DRAPERY HARDWARE PRICING

### 1½" Venus Decorative Traverse Rod and Ripplefold Track Pricing and Information

Decorative Traverse Rods are available in seven finishes (Chrome not available). See page 42 for rod colors. Pricing below is for both Decorative Traverse Rods and Ripplefold Tracks. Wand draw only.

**Price Group 22**

Widths Up To	44"	58"	80"	110"	132"	154"	164"	192"
1½" Venus Decorative Traverse Rod	500	659	909	1250	1500	1750	1864	2239
1½" Venus Ripplefold Track								
Recommended # of Brackets	2	3	4	5	6	7	8	9

Decorative Traverse Rods are available in custom widths from 12" to 192".

All rods over 96" wide will be spliced in half. A \$18 surcharge will be applied.

### 1½" Venus Decorative Traverse Rod and Ripplefold Finial Pricing

Venus Ball	Add \$139 each
Venus Tulip	Add \$170 each
Venus Crystal Rectangle	Add \$252 each
Venus French Return	Add \$191 each
Venus End Cap	Add \$109 per pair
Venus Urn	Add \$171 each
Venus Crystal Urn	Add \$252 each
Venus French Finial	Add \$170 each

All 1½" Venus Drapery Finials work with the decorative and ripplefold traverse rod hardware. All are priced per finial except for End Caps. When ordering finials, please indicate color, style, and quantity.

### 1½" Venus Decorative Traverse Rod and Ripplefold Bracket Pricing

Venus Single Wall Mount	Add \$70 each
Venus Ceiling Mount	Add \$87 each
Venus Inside Mount	Add \$63 each

### 1½" Venus Decorative Traverse Rod and Ripplefold Accessory Pricing

Elbow for Traverse Rods	Add \$130 each
39½" Coordinated Baton	Add \$59 each
36" or 48" White Baton	Add \$22 each
36" or 48" Clear Baton	Add \$33 each

A splice is automatically added for rods over 96". An additional \$18 surcharge is applied.

# Color Lux® Designer Window Solutions

## DRAPERY HARDWARE

### Telescoping Traverse Rod for Pleated Styles - Pricing and Information

<b>Split Draw</b>	
<b>Telescoping Rod, Wand on Right</b>	<b>List Price</b>
30" - 48"	\$63
48" - 84"	\$71
66" - 120"	\$91
84" - 156"	\$99
156" - 228"	\$124

<b>One Way Draw</b>	
<b>Telescoping Rod, Wand on Left or Right</b>	<b>List Price</b>
30" - 48"	\$63
48" - 84"	\$71
66" - 120"	\$91

Recommend ordering traverse rods one size wider when on outer range of rod width. Example: For 82" wide opening, order a 66" - 120" instead of a 48" - 84" to reduce the need for full extension.

1½" pin setting is recommended when using the basic traverse rod



Traverse Rods are only available in white with a white wand



Mounting Brackets for Traverse Rods (Front and Back)



Support Brackets for Traverse Rods (Front and Back)

### General Information for Telescoping Traverse Rods

**Hardware:**

- All mounting hardware is included
- 30" - 48" rods include 10 glides
- 48" - 84" rods include 20 glides with 1 support bracket
- 66" - 120" rods include 30 glides with 2 support brackets
- 84" - 156" rods include 38 glides with 3 support brackets
- 156" - 228" rods include 56 glides with 4 support brackets

**Projection:**

All traverse rods have a projection of 2¾" to 4½"

COLOR LUX® WINDOW SOLUTIONS HARDWARE

DRAPERY HARDWARE

Basic Ripplefold and Traversing Track System - Pricing and Information

The Basic Ripplefold and Traversing Track System is perfect for applications where the drapery hardware needs to blend in with the decor. Many styles of rooms achieve the best look with draperies mounted close to the ceiling, or for pleated and ripplefold draperies beneath a top treatment.

Widths Up To	44"	58"	80"	110"	132"	154"	164"	192"
Basic Traversing Rod for Ripplefold or Pleated Draperies	145	191	263	362	434	507	539	648

General Information for Standard Traverse Rods

Hardware:

- All mounting hardware is included
- 30" - 48" rods include 10 glides
- 48" - 84" rods include 20 glides with 1 support bracket
- 66" - 120" rods include 30 glides with 2 support brackets
- 84" - 156" rods include 38 glides with 3 support brackets
- 156" - 228" rods include 56 glides with 4 support brackets

Projection:

All traverse rods have a projection of 2¾" to 4½"

Hardware Colors:

Rod and brackets are only available in white

Control Options:

Available with baton or hand draw options only.



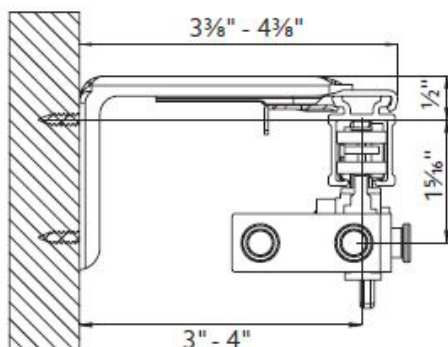
Mounting Brackets for Traverse Rods (Front and Back)



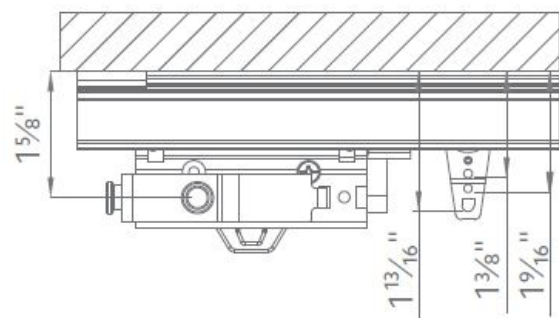
Support Brackets for Traverse Rods (Front and Back)



Deductions for Wall Mount



Deductions for Ceiling Mount



COLOR LUX® WINDOW SOLUTIONS HARDWARE

DRAPERY HARDWARE

1 3/8" and 2" Wood Hardware Collection

Diameter	Finishes
1 3/8"	Walnut, Natural, Hazel, Honey, White, Black and Unfinished
2"	Walnut, Natural, Hazel, Honey, White, Unfinished, Leather and Sand Gold
Available in custom rod lengths up to 192"	



Available in 1 3/8" and 2" Walnut



Honey Available in 1 3/8" and 2"



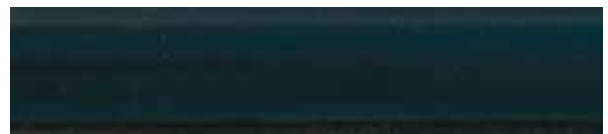
Available in 1 3/8" and 2" Natural



White Available in 1 3/8" and 2"



Available in 1 3/8" and 2" Hazel



Black Available in 1 3/8" and 2"



Available in 1 3/8" and 2" Unfinished



Leather (Antiqued)  
Available with 2" Collection only



Sand Gold (Antiqued)  
Available with 2" Collection only

COLOR LUX® WINDOW SOLUTIONS HARDWARE

**2" Wood Finial Collection**



**Style: Traditional**

**Price: \$86 each**

Colors: Available in all 2" Rod colors.

Height: 2½"

Width: 6"

Shown in Honey



**Style: Smooth Ball**

**Price: \$97 each**

Colors: Available in finished and unfinished 2" Rod colors.  
Not available with Antiqued finishes.

Height: 2¾"

Width: 4½"

Shown in Honey



**Style: Windsor**

**Price: \$105 each**

Colors: Available in all 2" Rod colors.

Height: 3½"

Width: 5¾"

Shown in Sand Gold (Antiqued)



**Style: End Cap**

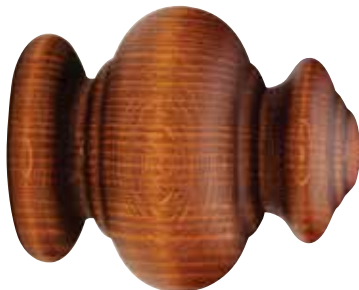
**Price: \$26 each**

Colors: Available in all 2" Rod colors.

Height: 2¼"

Width: 1⅛"

Shown in Leather (Antiqued)



**Style: Odiseia**

**Price: \$86 each**

Colors: Available in finished and unfinished 2" Rod colors.  
Not available with Antiqued finishes.

Height: 3"

Width: 3½"

Shown in Honey



**Style: Cup**

**Price: \$58 each**

Colors: Available in finished and unfinished 2" Rod colors.  
Not available with Antiqued finishes.

Height: 3½"

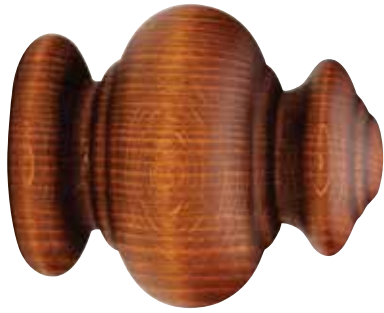
Width: 5⅛"

Shown in Unfinished

**Color Lux® Designer Window Solutions**

**DRAPERY HARDWARE**

**1 3/8" Wood Finial Collection**



**Style: Odiseia**  
**Price: \$56 each**  
 Colors: Available in all 1 3/8" Rod colors.  
 Height: 2 1/2"  
 Width: 3 1/2"



**Style: Corona**  
**Price: \$56 each**  
 Colors: Available in all 1 3/8" Rod colors  
 Height: 2 1/4"  
 Width: 2 1/4"

All Styles Shown in Honey

**Style: End Cap**  
**Price: \$18 each**  
 Colors: Available in all 1 3/8" Rod colors.  
 Height: 1 7/8"  
 Width: 1 1/4"



**Style: Bola**  
**Price: \$23 each**  
 Colors: Available in all 1 3/8" Rod colors  
 Height: 2 1/4"  
 Width: 2"



COLOR LUX® WINDOW SOLUTIONS HARDWARE

**Wood Drapery Rod Mounting Hardware**

**Classic Open Bracket (Euro Bracket for 2" Rods)**  
 Available in All Finishes



**For 1 3/8" Rod**  
 Height: 2 1/2"  
 Width: 3 3/8"  
**For 2" Rod**  
 Height: 2 3/4"  
 Width: 3 1/2"

**Standard Bracket (Only available with 2" Collection)**  
 Available in All Finishes



Height: 4"  
 Width: 4"

**Inside Mount Bracket**  
 Available in All Finishes



**For 1 3/8" Rod**  
 Height: 2 1/4"  
 Width: 1 5/8"  
 Projection: 7/8"  
**For 2" Rod**  
 Height: 2 1/4"  
 Width: 1 1/2"  
 Projection: 7/8"

**Extended Bracket (Only Available with 2" Collection)**  
 Available in All Finishes



Height: 4"  
 Width: 11"

**1 3/8" Rings**  
 Available in finished and unfinished. Not Available in Antiqued Finishes.  
 Outside Diameter: 2 1/2"  
 Inside Diameter: 1 7/8"



**2" Rings**  
 Available in all finishes.  
 Outside Diameter: 3 1/2"  
 Inside Diameter: 2 1/2"



**Wood Batons**  
 40" Modern Wood Baton



Not Available in Leather (Antiqued) or Sand Gold (Antiqued)

40" Wood Baton



Available in all finishes

## Color Lux® Designer Window Solutions

### DRAPERY HARDWARE PRICING

#### Wood Hardware Measuring Information

See page 80 for rod measuring recommendations. Add 3" to 12" on either side of your window for the panels to rest when open. Rod measurement does not include finials.

#### Wood Rod Pricing

1 3/8" and 2" wood drapery rods are available in custom widths from 12" to 192".

All drapery rods over 96" wide will be spliced in half. A dowel screw is used to connect the two halves.

#### Price Group 23

	48"	72"	96"	120"	192"
1 3/8" Wood Rod	72	107	138	227	292
2" Wood Rod	131	191	264	405	559

#### Wood Finial Pricing

When ordering finials, please indicate size, color, style, and quantity.

##### 1 3/8" Finial Pricing

1 3/8" Bola	Add \$23 each
1 3/8" Corona	Add \$56 each
1 3/8" End Cap	Add \$18 each
1 3/8" Odiseia	Add \$56 each

##### 2" Finial Pricing

2" Cup Finial	Add \$58 each
2" End Cap	Add \$26 each
2" Odiseia	Add \$86 each
2" Smooth Ball	Add \$97 each
2" Traditional	Add \$86 each
2" Windsor	Add \$105 each

#### 1 3/8" Mounting Hardware Pricing

1 3/8" Classic Open Brackets	Add \$44 each
1 3/8" Inside Mount Brackets	Add \$28 each
1 3/8" Wood Rings	Add \$4 each

#### 2" Mounting Hardware Pricing

2" Standard Brackets	Add \$72 each
2" Extended Brackets	Add \$129 each
2" Euro Brackets	Add \$50 each
2" Inside Mount Brackets	Add \$55 each
2" Wood Rings	Add \$11 each

#### Wood Baton Pricing

40" Standard Finish Wood Baton	Add \$53 each
40" Antique Finish Wood Baton	Add \$101 each
40" Modern Wood Baton	Add \$53 each
36" or 48" White Fiberglass Baton	Add \$18 each
36" or 48" Clear Acrylic Baton	Add \$28 each



# COLOR LUX® WINDOW SOLUTIONS GENERAL INFORMATION



COLOR LUX® WINDOW SOLUTIONS GENERAL INFORMATION

**COLOR LUX**®  
*Designer Window Solutions*

# Color Lux® Designer Window Solutions

## GENERAL INFORMATION

There are a lot of decisions that need to be made when working with soft treatments and all the options available to you. Color Lux Window Solutions is a simple program designed to make the most challenging decision easier. The following information will help guide you in the decision making process no matter what your style or taste.

### Draperies vs. Stationary Panels

When ordering draperies, it is important to know how they are going to be used. Will they be drawn across a window opening to block out light? Or will they be decorative side panels that will always remain stationary?

Stationary Side Panels are available either 20", 32" or 40" wide and are not meant to be drawn across a window. Stationary panels are a great option to coordinate with beautiful Color Lux Cellular or Roller Shades.

### Fullness

The fullness of a drapery is a measure of how full or how much fabric is on the drapery rod. If a drapery panel is made exactly to your window width, the drapery will be perfectly flat when drawn across the opening. This may not be the desired look. A typical fullness is 2½X, which means the drapery panel will be made 2½ times as wide as the window width. Comfortex Grommet Draperies have a 2X fullness and pleated draperies have a 2½x fullness.

### Lining Style

Lining refers to the fabric sewn to the back of your drapery. Depending on your choice, benefits may include added sun protection, improved insulation or increased light control. Choose from three different styles: Privacy Lining, Blackout Lining, or Interlining with either Privacy or Blackout lining.

#### Privacy Lining

- Provides privacy and greater light control
- Adds body and weight, and protects the material from fading.

#### Blackout Lining

- Blocks 99% of light for complete privacy and insulation.
- Adds body and weight, and protects the material from fading.
- Ideal for rooms where blackout is preferred, like bedrooms and media rooms.
- Note for light colored draperies that the blackout liner content can be pulled through when sewing, leaving darker threads at the tops of the draperies.

#### Interlining

- Provides additional body and fullness to the drapery
- The interlining is between the back lining and the front fabric to provide more insulation.
- An interlining with a privacy liner provides more light control without going to blackout

### Drapery Hardware

Our Drapery Hardware program offers a wide range of options to select from to make Color Lux Window Solutions a one stop shopping experience for all of your soft treatment needs.

#### Drapery Rods

- Rods are available at custom lengths.
- Available in both metal (1⅛" & 1½") and wood finishes (1⅜" and 2"), there is a wide variety of rod colors and sizes to choose from.

#### Finials

- Finials are distinctive ornaments that are mounted to the ends of a drapery rod.
- Finials are great for accenting architectural styles or favorite furniture or elements in a room. Large finials are great for larger spaces, while small finials complement the scale of smaller rooms.
- End caps are also offered for drapery rods butted together or for a more subtle look

#### Brackets

- Standard brackets need to be selected when selecting drapery rod hardware.
- Heavy duty brackets are recommended for all drapery lengths longer than 94".
- The longer the rod, the more brackets are needed.

#### Rings

- Our rings for the 1⅛" drapery rod comes with an easy glide acrylic insert that makes traversing across the rod smooth and quiet. Available in all matching colors
- Rings are recommended for soft top drapery options and are positioned by the decorator or installer.

#### Batons

- Batons are used to help move the drapery across the rod without having to touch the fabric
- Can be connected to a loop ring
- Available with a surcharge

#### Tie Backs

- Used to pull fabric away from the window in a stylish drape.
- Available with matching fabric or as a metal tie back when selecting the 1⅛" hardware collection
- Available with a surcharge

# Color Lux® Designer Window Solutions

## GENERAL INFORMATION

### How to Measure for Color Lux Window Solutions Draperies

Draperies can hang from a window in a few different ways, so the first decision before any measuring begins, is to determine which look is preferred.



1. Tailored Draperies



2. Standard Puddle Draperies



3. Full Puddle Draperies

#### Determine the Proper Length for the Desired Look

Our drapery length reflects the full length of fabric, from the top edge to the bottom hem.

- For grommet top, measure from the point where you want the top of the drapery to be.
- Drapery rods are typically installed 4" above the window frame (center image above) or closer to the ceiling (left image above). Rods mounted closer to the ceiling gives the illusion of a higher ceiling.
- For a tailored, more casual look: Measure the distance from the bottom of the installed drapery rod or drapery rings, to the floor. Subtract 1/2" to get the panel length you need. The finished look is option 1 above.
- For longer, more formal drapes that puddle on the floor in luxurious folds: Add 1" - 10" to the height measurement.
- Keep in mind, there are different looks achieved when ordering different lengths:
  - No Puddle: Also called a "break" or "trouser break". Drapery is just touching the floor (Tailored Draperies Above)
  - 2" - 6" Puddle: A standard puddle, with just a slight spill of fabric (Style 2 above)
  - 5" - 10" Puddle: A true puddle with enough extra fabric to fan it out onto the floor (Style 3 above).
- Puddling is not recommended for drapery that will be opened and closed regularly, as the bottoms will get dirty very quickly.

#### Measuring Tips

- Color Lux Window Solutions offers custom widths for all drapery styles, up to 192" wide.
- Custom pricing on any length or width drapery is available. Call customer service.
- Precise measurements are key
- Use a steel tape measure, measuring to the nearest 1/4" in width and to the nearest 1" in length.
- Recommended clearance for functional drapes that close is 1/2" above floor.
- Measure each window and doorway individually (note: windows and doors that appear to be the same size often are not).
- Instructions are provided with all of our drapery hardware for installation on most surfaces.

COLOR LUX® WINDOW SOLUTIONS GENERAL INFORMATION

# Color Lux® Designer Window Solutions

## GENERAL INFORMATION

### How to Measure for Color Lux Window Solutions Draperies

#### Determine Drapery Rod Width

- Measure the width of your window, taking into account whether you'd like a trim-mounted rod (i.e. rod placed directly on the window trim) or wall-mounted rod.
- If your drapery will open and close, allow 3" - 12" on either side of the window frame for the panels to rest when they are open. See below for an estimate on stackback and the recommended rod length for given window openings.
- When providing a finished width (or ordered width) to Comfortex, please include the rod width only. The workroom will add any ordered overlaps and returns.
- Consider the extra wall space needed for decorative finials.

#### Decide Whether or Not to Use Drapery Rings

- Draperies that are hung from rings requires the drapery rods to be installed at a height greater than the length of the drapery.

#### Determine Rod Placement

- Drapery rings are recommended for ease of opening and closing drapery panels.
- Drapery rings do add a few extra inches to your rod placement.
- To determine proper rod height if using drapery rings: With the drapery attached to the rings, measure the distance from the bottom of the rod to the top of the drapery fabric; add this measurement to the drapery length.
- To determine proper rod height if not using drapery rings: Simply measure the distance from bottom of rod to floor and install the rod at that height.
- For low light-filtration, mount the rod 6" above the trim and allow the rod width to extend at least 3" beyond either side of the window frame.
- To add visual height to a room, mount the rod closer to the ceiling. When hanging Rod Pocket drapery, there is some rod "take-up" when the material is gathered onto the pole. Typically, you will need to install rods 1" lower than the finished length, while rods with a 2" diameter or more will need to be installed approximately 2" lower.

#### Determine Bracket Placement

- Install brackets a maximum of 60" apart to provide the drapery rod with maximum support. A center bracket is needed for longer rods.
- A connection seam requires a center bracket. For any rod over 96", two equal-length rods will connect to achieve the total length (1 center bracket); for rods over 120", three equal rods will connect (2 brackets).

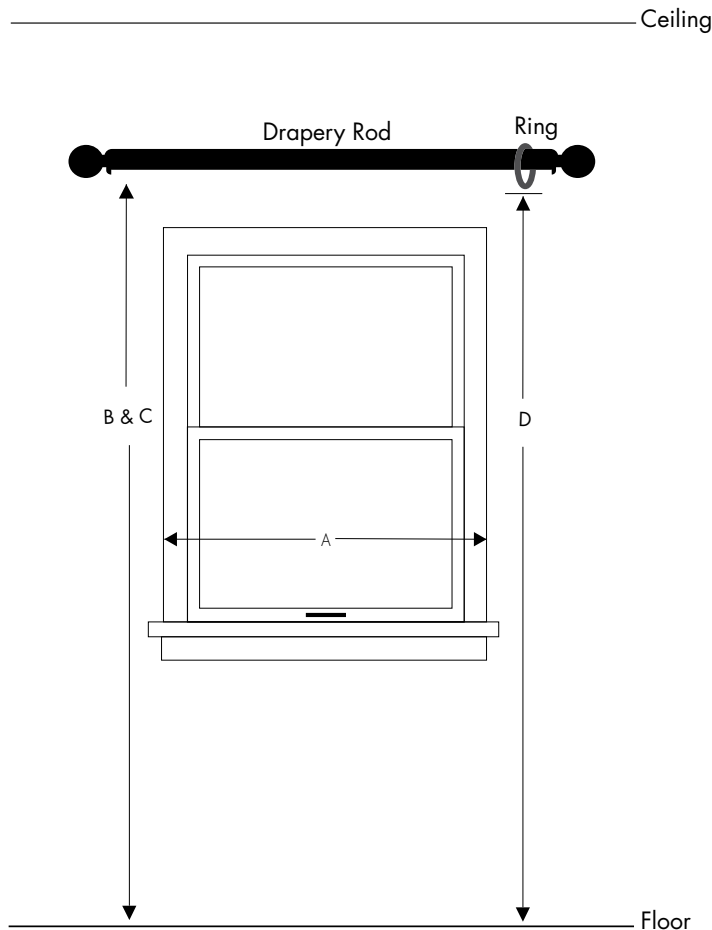
Window Opening	Stackback*	Rod Width
24"	21"	45"
30"	23"	53"
36"	25"	61"
42"	26"	68"
48"	29"	77"
54"	30"	84"
60"	31"	91"
66"	32"	98"
72"	34"	106"
78"	36"	114"
84"	37"	121"
90"	38"	128"
96"	39"	135"
102"	42"	144"
108"	44"	152"
114"	45"	159"
120"	48"	168"

\* Stackback sizes are estimates. Liner options can alter this measurement. These are for instances when you want to clear your window opening completely

# Color Lux® Designer Window Solutions

## GENERAL INFORMATION

### Worksheet for Measuring Color Lux Window Solutions Draperies



#### 1. DETERMINE SPACE NEEDED FOR DRAPERY ROD

- Measure outside window frame to outside frame (see A).
- Add 3"-12" to the drapery rod for panels to rest on either side of window frame when open.
- Add the extra inches needed for decorative finials.
- The total from the 3 measurements above is the amount of horizontal space needed for your drapery rod.

#### 2. DETERMINE ROD PLACEMENT

- If not using drapery rings: Measure from bottom of rod to floor (see B).
- If using drapery rings: With the drapery attached to the rings, measure the distance from bottom of rod to top of drapery fabric; add this measurement to the drapery length to determine rod placement.

#### 3. DETERMINE DRAPERY LENGTH

- If not using drapery rings: Measure from bottom of rod or top of window sill down to the floor, depending on desired window coverage (C).
- If using drapery rings: With rings attached to rod, measure from bottom of rings to top of floor or top of window sill, depending on desired window coverage (D).
- If you want drapery to "puddle" on the floor: Decide the amount of puddling desired, and add that measurement to your panel length. This is the overall panel length needed.

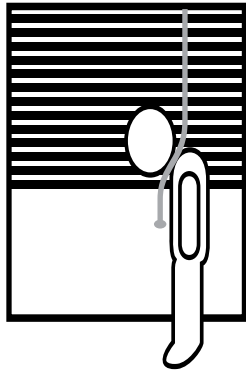
#### 4. DETERMINE DRAPERY WIDTH

- Measure overall window width (see A).
- Add 2" to 8" for increased overlaps to reduce light gaps as desired.
- Our custom drapery styles are designed with fullness built in.

COLOR LUX® WINDOW SOLUTIONS GENERAL INFORMATION

**⚠️ WARNING**

**⚠️ ADVERTENCIA**



Window Blind Cord Can STRANGLE Your Child.

To prevent strangulation, purchase cordless products or products with inaccessible cords.

La cuerda ciega de la ventana puede ESTRANGULAR su niño.

Para evitar el estrangulamiento, compre alternativas inalámbricas o productos con cables inaccesibles.

**Child Safety**

Comfortex has a long history of designing new child-safety products and is proud to provide a leadership role in cooperating with the Consumer Product Safety Commission (CPSC) for the development of policies and guidelines for the industry by serving on the WCMA Standards Development Committee.

All Comfortex products have been fully tested and proven to comply with the current WCMA Standards for Safety of Window Covering Products.

Be aware that it is possible for children to become entangled in window covering cords. To reduce the risk of accidents, all cords must be kept out of the reach of children.

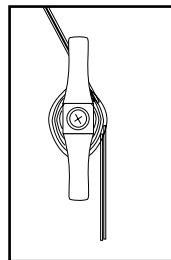
A cord cleat or cord tensioner is an effective way to implement this essential precaution. Please use them. To mount the cord cleat at a safe height, take into account furniture or other objects upon which a child may climb. Then, after the use of the shade, simply wrap the excess cord around the cleat.

Cord tensioners keep the continuous cord loops taut to prevent children and pets from becoming entangled and subsequently injuring themselves. Cord tensioners must be used with all Soft Roman and Traverse Rod Shades and Systems to comply with the Window Covering Manufacturers Association Cord Safety Guidelines.

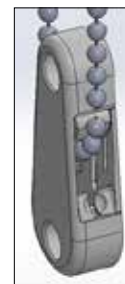
**Cleaning and Care**

While beautiful and pleasing to the eye, all Comfortex products are designed to be durable, easily cared for and easily cleaned. The fabric can be dusted with a soft, clean cloth, feather duster or lightly vacuumed with a soft brush attachment. Spills and stains can be lightly blotted with a cloth or damp sponge.

For additional advice on care or cleaning, please contact our Technical Services Department.



Cord Cleat



Soft Roman Shade cord tensioner



Traverse Rod Tensioner

# Color Lux® Designer Window Solutions

## GENERAL INFORMATION

### Conditions of Sale

All Comfortex products are custom fabricated to your specifications. We cannot accept responsibility for errors in ordering or cancellations and charges after the order is in production.

### Policies

Our policies are designed to provide a guide for doing business with Comfortex. Our first priority and number one policy is to provide the highest level of service and total satisfaction.

### Freight Policy for Fabricated Drapery, Valances, Fabric By the Yard, Cornices and Hardware

Comfortex will ship all orders under the Color Lux Designer Window Solutions at freight rates listed below, via UPS, FedEx Ground or other similar method within the Continental US.\*

Custom Drapery	\$25 per window
Stationary Panels	\$25 per window
Fabric By The Yard	\$15 per bolt
Valances (Board Mounted)	\$25 per window
Valances (Rod Mounted)	\$25 per window
Cornices up to 96"	\$25 per window
Cornices over 96" (*Cornices cannot be hinged)	\$25 per window + surcharge*
Hardware with Rod (*Includes all ordered hardware for a specific opening i.e. finials, brackets)	\$25 per opening**
Hardware without Rod	\$5.50 per opening

**\*Oversized:** Oversized Rods will arrive spliced, Board Mounted Valances will be hinged to avoid oversized shipping costs. Any product that has a length of more than 96" (after spliced/hinged) will incur an addition, \$40 per unit Common Carrier surcharge for all orders shipped within the Continental US.

**Hawaii:** Shipments to Hawaii will incur a freight charge of \$50.00 per unit when shipped from within the Continental US. In Addition, a \$75.00 per unit Common Carrier surcharge for oversized shipments will be added to orders shipping to Hawaii.

**Alaska Common Carrier Surcharge:** Shipments to Alaska will incur a \$50.00 freight charge per unit when shipped from within the Continental US.

In addition, a \$75.00 per unit Common Carrier surcharge for oversized shipments will be added to orders shipping to Alaska from within the Continental US.

**Canada:** Shipments to Canadian Dealers will incur a \$35.00

per unit transportation surcharge when shipped from within the Continental US. In addition, a \$75.00 per unit Common Carrier surcharge for oversized shipments will be added to orders shipping to Canada from within the Continental US.

**All Other Countries:** All US Dealers requesting to ship orders outside the USA, must provide a Freight Forwarder for Comfortex to ship to within the Continental US. Comfortex cannot ship directly to your customers located outside USA.

**Please Note:** Comfortex reserves the right to select another carrier, modify shipping terms or change freight policies without notice.

### Service and Repair

Service may be obtained by contacting our Customer Service Department. No products, parts, components or other materials will be authorized for return or repair without prior approval from Comfortex. A Return Authorization (RA) may be obtained by contacting our Technical Service Department. In order to provide the quickest service possible, please have your Comfortex Work Order number and original order information available when you call.

### Specifications

All Comfortex products are designed and tested to perform as intended within established, published parameters. Requests for "custom fabrication" of products outside of our published specifications may be considered, but are at the discretion of the Comfortex Technical Services department. Restrictions and additional charges apply.

**Download order forms or additional price list copies from the Comfortex OnDemand Library or [www.comfortex.com/comfortex-dealers](http://www.comfortex.com/comfortex-dealers) in the Dealer Resource Center.**

COLOR LUX® WINDOW SOLUTIONS GENERAL INFORMATION

# Color Lux® Designer Window Solutions

## GENERAL INFORMATION

---

### Freight Policy

#### Soft Roman Shades

Comfortex will ship all orders for fabricated shades or blinds freight free via UPS, FedEx Ground or other similar method within the Continental US.

**Transportation Surcharge:** A \$6.00 per unit transportation surcharge will be added to all fabricated product orders shipping within the Continental US; including shades/blinds, vane packs, individual vanes, tracks, valance and cut yardage orders. Exception: Vertical Sheer Shadings, Ovation Cellular Slider and Envision Panel Track system will incur a \$15 per unit transportation surcharge up to 96".

**Oversized:** In addition to the transportation surcharge, a \$45 per unit Common Carrier surcharge will be added to all fabricated products shipping within the Continental US, including shades/blinds, Vertical Sheer Shadings, Ovation Cellular Slider, Envision Panel Track system, valances, vane packs, individual vanes, tracks, and cut yardage orders with widths of over 96 inches.

**Hawaii:** Shipments to Hawaii will incur a freight charge of \$26.00 per unit when shipped from within the Continental US.

In Addition, a \$132.00 per unit Common Carrier surcharge for oversized shades/blinds (over 96") will be added to orders shipping to Hawaii.

**Alaska:** Shipments to Alaska will incur a \$26.00 per unit transportation surcharge when shipped from within the Continental US.

In addition, a \$132.00 per unit Common Carrier surcharge for oversized shades/blinds (over 96") will be added to orders shipping to Alaska from within the Continental US.

**Canada:** Shipments to Canadian Dealers will incur a \$7.75 per unit transportation surcharge when shipped from within the Continental US. In addition, a \$75.00 per unit Common Carrier surcharge for oversized shades/blinds (over 96") will be added to orders shipping to Canada from within the Continental US.

**Other Countries:** All US Dealers requesting to ship orders outside the USA, must provide a Freight Forwarder for Comfortex to ship to within the Continental US. Comfortex cannot ship directly to your customers located outside USA.

#### Components and Fabric

Comfortex will prepay all freight charges on shipments of component and fabric orders over \$3,500 in value within the Continental US. Fabric and component orders less than \$3,500 will be subject to freight charges.

#### Charged Marketing Materials

All charged marketing materials will incur freight charges. Marketing materials may ship on separate days, from different locations. Freight charges are calculated per package, not per order.

#### Specifications

All Comfortex products are designed and tested to perform as intended within established, published parameters. Requests for "custom fabrication" of products outside of our published specifications may be considered, but are at the discretion of the Comfortex Technical Services department. Restrictions and additional charges apply.

**Download installation instructions, order forms or additional price list copies on the Comfortex OnDemand Library or [www.comfortex.com/comfortex-dealers](http://www.comfortex.com/comfortex-dealers) in the Dealers Resource Center.**



# Color Lux® Designer Window Solutions

## GENERAL INFORMATION

### Color Lux Window Solutions Limited Lifetime Warranty Information

Comfortex warrants that its window treatments will be free from defects in materials and workmanship for as long as the original residential purchaser owns the product, provided that the product was installed properly and in accordance with the installation instructions. The Limited Lifetime Warranty is extended to the original residential purchaser only, in the original window for which it was installed.

The Warranty does not include any conditions or damages resulting from accidents, alterations, misuse, abuse, misapplication, improper handling, installation, repairs, operation, cleaning, exposure to any and all natural and manufactured excessive heat sources. (Excessive heat sources include, but not limited to; magnification of sun light through cubes of glass, heaters of any kind, ovens, candles, lighting fixtures, etc.) This warranty does not cover variation in fabric color, grain, or texture in natural wood products nor excessive warping of wood slats in high humidity areas. Loss of pleating is not covered if the product is not being cycled (held in the raised position a portion of the time). Normal wear and tear is not covered.

All moving parts, such as cords and strings ( internal and external), will eventually wear out and fabric may fray. Comfortex considers these things as normal wear and tear and will carry a three year Limited Warranty. All fabric, including fabric vanes, panels, inserts, and shades carry a five year Warranty. Fabric cell separation is covered for a lifetime. See Comfortex Standard Return and Repair Policy for more details.

This Limited Warranty does not cover transportation costs to and from the retailer, costs of removal, re-measure, reinstallation of product, or any incidental or consequential damages.

If a Comfortex product is found to be defective in materials or workmanship, we will, at our discretion, repair, replace or refund the cost of a product which fails to conform to this Limited Warranty. Colors vary from lot to lot and may not exactly match sample swatch, sample book, or previous purchases. Discontinued components or color selections will be replaced with the closest equivalent current product. This shall be your sole remedy under this Limited Warranty.

To obtain service, contact the Dealer from whom you purchased the product.

This Warranty is exclusive and in lieu of all other obligations, liabilities or warranties. In no event shall Comfortex or its

licensed fabricators or distributors be liable for incidental or consequential damages, or for any other damage, loss or expense, cost or fee associated with such damage. In some states, exclusions for incidental or consequential damages are not allowable. Comfortex Dealers and Fabricators must use safety devices supplied by Comfortex in accordance with Window Covering Safety Counsel guidelines.

This Warranty gives you specific legal rights, and you may also have other rights, which vary from state to state. Policy is subject to change without notice.

This Limited Warranty is exclusive of commercial use. Contact Comfortex Technical Service for more information. No agent, representative, dealer or unauthorized employee has the authority to increase or alter the obligation of this Warranty.

This Limited Warranty supersedes any previous versions.

### Motorized Color Lux Soft Roman Shades Warranty

#### Simplicity Rechargeable Motors

We offer a 5 year warranty on all motors and controls. Specifically, we warrant the Simplicity motors and controls to be free from defects in material and workmanship under normal and proper use for a period of 5 years commencing with the date stamped on each product. If the Simplicity product fails within this 5 year period, we will repair or replace it free of charge through your end product supplier. Remote Control batteries are not covered by the warranty.

### Color Lux Color Warranty

Comfortex utilizes state of the art technology to provide you Color Lux Shades within 2 Delta-E (DE) of the sample fabrics found in the Color Lux Sample Book. When viewed under different lighting sources such as fluorescent, incandescent, halogen, ultraviolet and others, fabrics may appear different to the eye. Comfortex utilizes the worldwide lighting standards of Daylight 65 (D65) as our official standard for measuring and qualifying color accuracy, because D65 daylight bulbs best represent actual "daylight" illumination. Slight color variations (under 2 DE) are within established industry standard and should be expected. This warranty is in addition to Comfortex limited lifetime warranty.

COLOR LUX® WINDOW SOLUTIONS GENERAL INFORMATION

©2020 COMFORTEX CORPORATION  
™ is a trademark of Comfortex Corporation. ® is a registered trademark of Comfortex Corporation. Scotchgard, 3M and the Plaid Design are trademarks of 3M. ColorLux™, is a trademark of Comfortex Corporation. Other U.S. and foreign patents pending.



Midwest  
Designer  
Supply

**1-888-523-2611**

**Midwest Designer Supply, Inc.  
N30W22377 Green Road Ste C  
Waukesha, WI 53186  
(262) 523-2600  
Fax (262) 524-1007  
[www.midwestdesignersupply.com](http://www.midwestdesignersupply.com)**

*MDS - your one source for window fashions.*